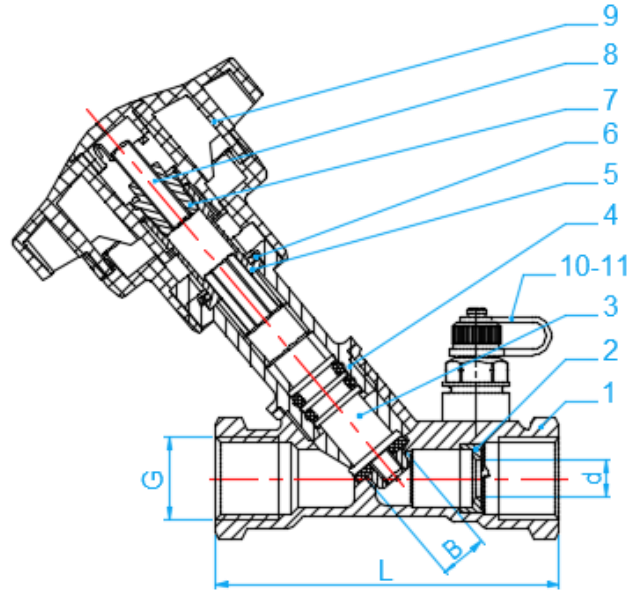


STATIC THERMAL CONTROL BALANCING VALVE

COMPLY WITH SS75: PART 2:1978 (2012)



CROSS SECTIONAL VIEW

STANDARD SPECIFICATIONS

Nominal Pressure	1.6MPa
Working Medium	Water
Working Temperature	0°C ≤ t ≤ 120° C

DIMENSIONS

SKU	SIZE (mm)	L (mm)	G (mm)	B (mm)	d (mm)	Weight (kg)	PCS/CTN
TBVCRN015	15	87	1/2"	12	9.0	0.513	40
TBVCRN020	20	96	3/4"	15	12.6	0.610	40
TBVCRN025	25	100	1"	20	16.8	0.857	-
TBVCRN035	35	114	1 1/4"	25	24.1	1.102	-
TBVCRN040	40	124	1 1/2"	32	29.0	1.432	-
TBVCRN050	50	145	2"	40	39.0	2.104	-

COMPONENT PARTS

ITEM	PARTS	MATERIAL
1	Body	DZR Brass
2	Orifice	DZR Brass
3	Disc Valve Stem Assembly	DZR Brass / EPDM
4	Cap	DZR Brass
5	Stem Sleeve	DZR Brass
6	Retaining Ring	AISI304 / EPDM
7	Stem Nut	DZR Brass
8	Positioning Screw	AISI304
9	Handwheel	ABS
10	Blue belt measuring connector	PE
11	Red belt measuring connector	PE