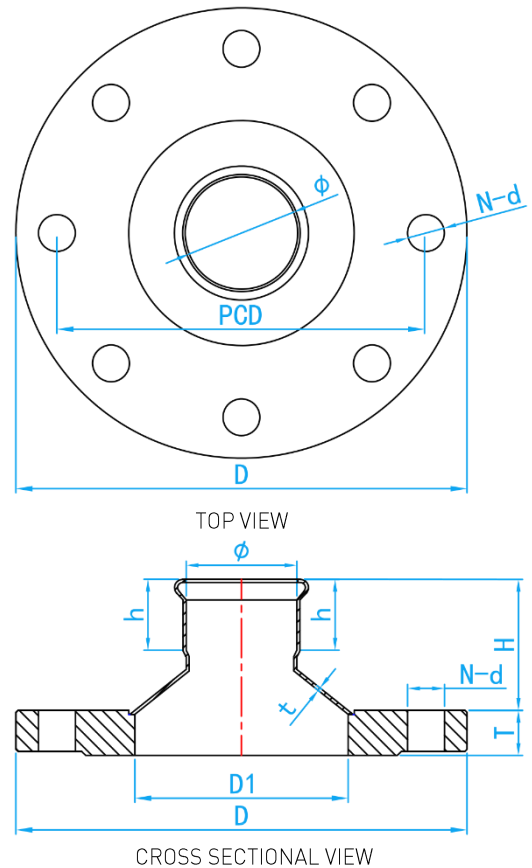


STAINLESS STEEL 316L PRESS FIT FITTINGS (M PROFILE)

COMPLY WITH BSEN1254-2: 1998



PRESSFIT FLANGE REDUCE SOCKET



DIMENSIONS

SKU	∅ (mm)	D (mm)	PCD (mm)	D1 (mm)	NO.S OF HOLS	d (mm)	T (mm)	H (mm)	h (mm)	t (mm)	WEIGHT (kg)
SS316LPFNFLS06550	54	185	145	63	4	18	20	53	36	1.8	3.19
SS316LPFNFLS08050	54	200	160	85	8	18	20	59	36	1.5	3.92
SS316LPFNFLS08065	67	200	160	85	8	18	20	71	50	1.8	4.02
SS316LPFNFLS100050	54	220	180	104	8	18	20	67	36	1.5	4.31
SS316LPFNFLS100065	67	220	180	104	8	18	20	85	50	1.8	4.42
SS316LPFNFLS100080	76	220	180	104	8	18	20	85	53	2.0	4.46
SS316LPFNFLS150065	67	285	240	154	8	22	24	116	50	1.8	8.20
SS316LPFNFLS150080	76	285	240	154	8	22	24	121	53	2.0	8.23
SS316LPFNFLS150100	108	285	240	154	8	22	24	140	75	2.0	8.48