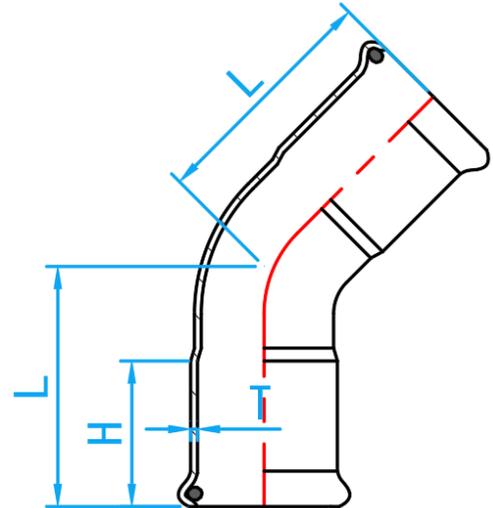


# STAINLESS STEEL 316L PRESS FIT FITTINGS (M PROFILE)

COMPLY WITH BSEN1254-2: 1998



## 45° ELBOW



CROSS SECTIONAL VIEW

### DIMENSIONS

SKU	SIZE (mm)	L (mm)	H (mm)	T (mm)	WEIGHT (kg)	PCS/CTN
SS316LPFNE45015	15	31	20	1.5	0.037	400
SS316LPFNE45020	22	33	21	1.5	0.065	160
SS316LPFNE45025	28	40	23	1.5	0.090	120
SS316LPFNE45035	35	45	26	1.5	0.125	140
SS316LPFNE45042	42	54	31	1.5	0.217	80
SS316LPFNE45050	54	65	36	1.5	0.268	48
SS316LPFNE45065	65	93	50	1.8	0.604	18
SS316LPFNE45080	76	98	51	2.0	0.812	12
SS316LPFNE45100	108	133	75	2.0	1.615	4