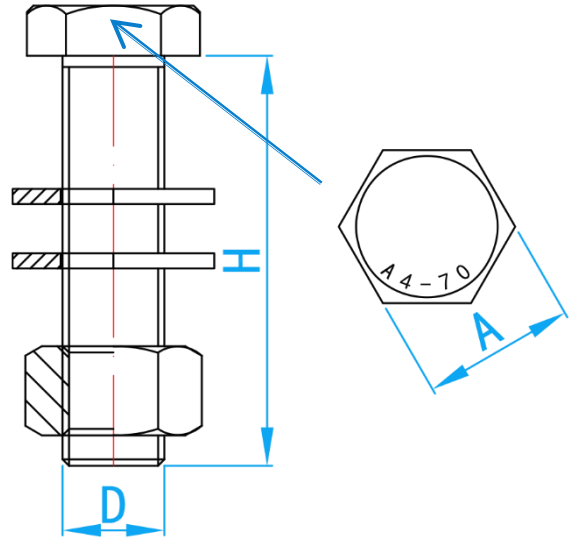
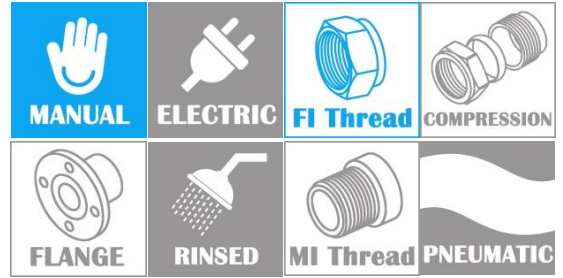


STAINLESSSTEEL AISI316L HEXAGONAL BOLT & NUT WITH 2 AISI316L WASHER



SIDE VIEW

COMPONENT PARTS

ITEM	PARTS	MATERIAL
1	Body	AISI316L

DIMENSIONS

SKU	D (mm)	A (mm)	H (mm)	Washer Thickness (mm)	Pitch of Screw Thread (mm)	Tensile Strength Performance Grade (MPa)	WEIGHT (kg)	PCS/CTN
SSBNWM10040-316L	M10	17	40	2.0	1.5	70	0.035	200
SSBNWM14080-316L	M14	22	80	2.0	2.0	70	0.143	120
SSBNWM16065-316L	M16	24	65	2.0	2.0	70	0.171	120
SSBNWM16080-316L	M16	24	80	2.0	2.0	70	0.190	120
SSBNWM20080-316L	M20	30	80	3.0	2.5	70	0.320	60
SSBNWM24100-316L	M24	36	100	3.0	3.0	70	0.573	30