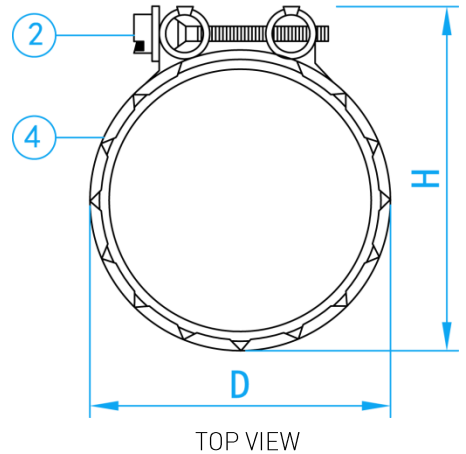
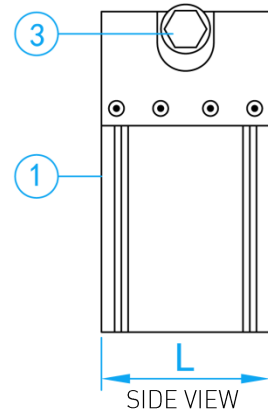
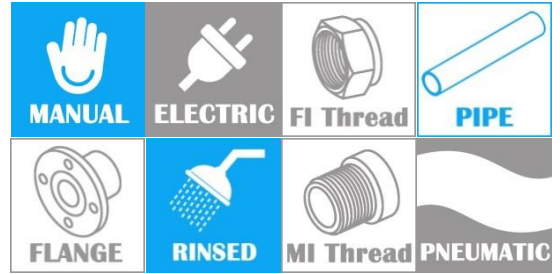


# STAINLESS STEEL 304 TYPE F HUBLESS HIGH RISE CLIPS

COMPLY WITH CISPI 301-2012



COMPONENT PARTS		
ITEM	PARTS	MATERIAL
1.	Metal collar	Stainless steel 304
2.	Locking parts	Galvanized iron
3.	Slotted hex washer head bolt	Galvanized iron
4.	Gasket	NR

## STANDARD SPECIFICATIONS

SKU	SIZE (mm)	H (mm)	D (mm)	L (mm)	BOLT	BAR	INSTALL TORQUE (Nm)	WEIGHT (kg)
HUBC050F	50	85.4	69.8	50±1	GI M8 Slotted Hex Washer Head Bolt	0.5	7.5	0.20
HUBC080F	80	109.7	94.4	54±1	GI M8 Slotted Hex Washer Head Bolt		7.5	0.25
HUBC100F	100	140	118.3	54±1	GI M8 Slotted Hex Washer Head Bolt		7.5	0.30
HUBC150F	150	190.4	174	77±1	GI M8 Slotted Hex Washer Head Bolt		7.5	0.56