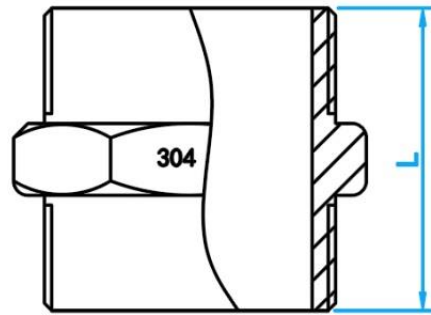


STAINLESS STEEL 304 THREADED FITTINGS

EQUAL NIPPLE

COMPLY WITH BSEN1254-2:1998
AS/NZS 4020:2018



CROSS SECTIONAL VIEW

DIMENSIONS

SKU	SIZE (inch)	L (mm)	WEIGHT (kg)	PCS/CTN
SS304EN015	½"BSPT	42	0.0510	500
SS304EN020	¾"BSPT	45	0.0830	300
SS304EN025	1"BSPT	49	0.1201	200
SS304EN035	1¼"BSPT	54	0.1691	100
SS304EN042	1½"BSPT	56	0.2170	100
SS304EN050	2"BSPT	65	0.3488	48
SS304EN065	2½"BSPT	76	0.6040	30
SS304EN080	3"BSPT	80	0.7610	22
SS304EN100	4"BSPT	86	1.0320	12