

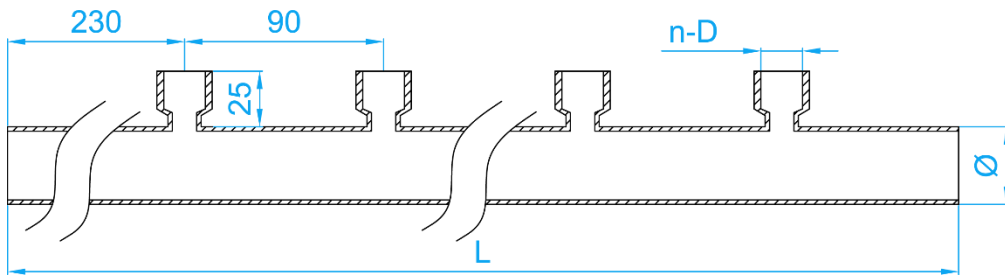
STAINLESS STEEL 304 PRESSFIT SINGLE SIDED MANIFOLDS



COMPLY WITH BSEN1254-2: 1998

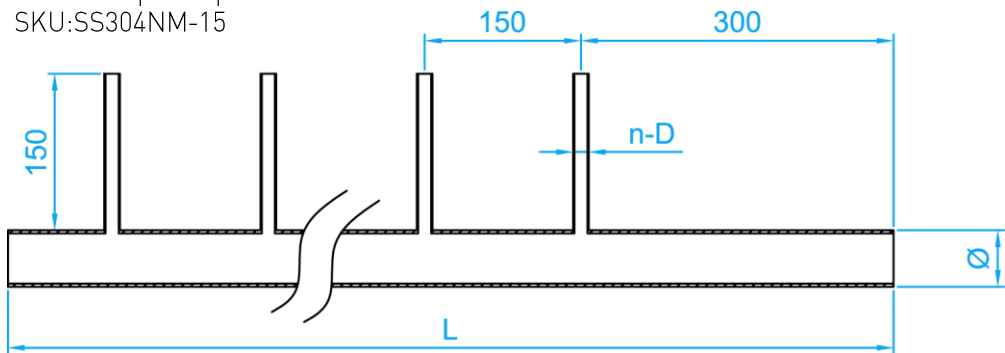


TYPE A: Pipe x FI
SKU: SS304NM-15F



CROSS SECTIONAL VIEW

TYPE B: Pipe x Pipe
SKU:SS304NM-15



CROSS SECTIONAL VIEW

* Size could be customized.

DIMENSIONS

SKU	TYPE	Ø×Thickness (mm)	n-D	L (mm)	WEIGHT (kg)
SS304NM03515FX04	A	35×1.5	4NOS -G1/2" FI	1000	1.450
SS304NM05015X04	B	54×1.5	4NOS-Ø15×0.6	850	2.157
SS304NM05015X05	B	54×1.5	5NOS-Ø15×0.6	1000	2.382