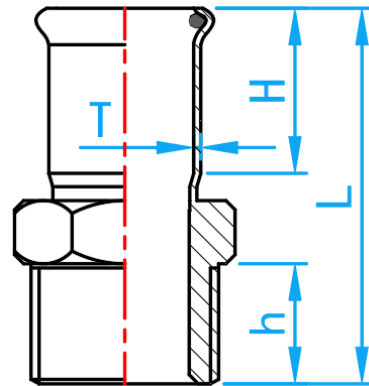


STAINLESS STEEL 304 PRESS FIT FITTINGS (M PROFILE)

COMPLY WITH BSEN1254-2: 1998



MI SOCKET



CROSS SECTIONAL VIEW

DIMENSIONS

SKU	SIZE [mm x inch]	L [mm]	H [mm]	h [mm]	T [mm]	WEIGHT [kg]	PCS/CTN
SSPFNMIA01515	15×1/2" BSPT	51.0	20	15	1.5	0.044	420
SSPFNMIA02015	22×1/2" BSPT	53.0	20	15	1.5	0.060	170
SSPFNMIA02020	22×3/4" BSPT	55.0	21	16	1.5	0.065	200
SSPFNMIA02025	22×1" BSPT	70.0	24	16	1.5	0.105	130
SSPFNMIA02515	28×1/2" BSPT	66.5	24	14	1.5	0.075	130
SSPFNMIA02520	28×3/4" BSPT	58.0	24	16	1.5	0.082	130
SSPFNMIA02525	28×1" BSPT	62.0	33	19	1.5	0.105	130
SSPFNMIA03515	35×1/2" BSPT	76.0	26	15	1.5	0.095	80
SSPFNMIA03520	35×3/4" BSPT	75.0	26	15	1.5	0.100	80
SSPFNMIA03525	35×1" BSPT	67.0	26	21	1.5	0.120	80
SSPFNMIA03535	35×1 1/4" BSPT	70.0	26	21	1.5	0.160	80
SSPFNMIA03542	35×1 1/2" BSPT	82.0	28	22	1.5	0.165	66
SSPFNMIA03550	35×2" BSPT	92.0	26	26	1.5	0.300	38
SSPFNMIA04215	42×1/2" BSPT	81.0	31	14	1.5	0.120	50
SSPFNMIA04220	42×3/4" BSPT	82.0	31	16	1.5	0.132	50
SSPFNMIA04225	42×1" BSPT	84.0	24	22	1.5	0.150	50
SSPFNMIA04235	42×1 1/4" BSPT	75.0	31	21	1.5	0.180	50
SSPFNMIA04242	42×1 1/2" BSPT	75.0	31	21	1.5	0.195	66
SSPFNMIA04250	42×2" BSPT	96.0	31	21	1.5	0.320	50
SSPFNMIA05020	54×3/4" BSPT	94.0	35	16	1.5	0.178	60
SSPFNMIA05025	54×1" BSPT	95.0	35	19	1.5	0.198	50
SSPFNMIA05035	54×1 1/4" BSPT	96.0	35	20	1.5	0.232	38
SSPFNMIA05042	54×1 1/2" BSPT	95.0	35	21	1.5	0.246	38
SSPFNMIA05050	54×2" BSPT	88.0	36	26	1.5	0.320	38
SSPFNMIA06565	67×2 1/2" BSPT	110.0	50	30	1.8	0.735	15
SSPFNMIA08065	76×2 1/2" BSPT	115.0	55	30	2.0	0.626	24
SSPFNMIA08080	76×3" BSPT	117.0	55	32	2.0	0.825	24
SSPFNMIA100100	108×4" BSPT	148.0	80	35	2.0	1.243	10