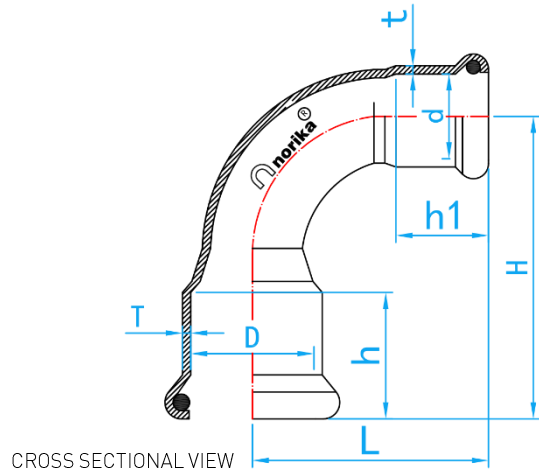


# STAINLESS STEEL 304 PRESS FIT FITTINGS (M PROFILE)

COMPLY WITH BSEN1254-2: 1998



## REDUCER 90° ELBOW



CROSS SECTIONAL VIEW

### DIMENSIONS

SKU	SIZE D×d (mm)	H (mm)	L (mm)	h (mm)	h1 (mm)	T (mm)	t (mm)	WEIGHT (kg)	PCS/CTN
SSPFNRE9002015	22x15	52	43	21	20	1.5	1.5	0.065	160
SSPFNRE9002515	28x15	60	43	23	20	1.5	1.5	0.075	140
SSPFNRE9002520	28x22	62	50	23	21	1.5	1.5	0.095	160
SSPFNRE9003515	35x15	63	43	26	20	1.5	1.5	0.100	100
SSPFNRE9003520	35x22	70	50	26	21	1.5	1.5	0.115	80
SSPFNRE9003525	35x28	76	60	26	23	1.5	1.5	0.135	70
SSPFNRE9004215	42x15	72	43	31	20	1.5	1.5	0.125	60
SSPFNRE9004220	42x22	73	50	31	21	1.5	1.5	0.145	60
SSPFNRE9004225	42x28	84	60	31	23	1.5	1.5	0.165	60
SSPFNRE9004235	42x35	87	72	31	26	1.5	1.5	0.200	60
SSPFNRE9005015	54x15	82	43	36	20	1.5	1.5	0.170	56
SSPFNRE9005020	54x22	87	50	36	21	1.5	1.5	0.186	56
SSPFNRE9005025	54x28	93	60	36	23	1.5	1.5	0.215	56
SSPFNRE9005035	54x35	97	72	36	26	1.5	1.5	0.245	30
SSPFNRE9005042	54x42	105	85	36	31	1.5	1.5	0.298	30
SSPFNRE9006525	67x28	115	60	50	23	1.8	1.5	0.354	15
SSPFNRE9006535	67x35	118	72	50	26	1.8	1.5	0.394	15
SSPFNRE9006542	67x42	84	85	50	31	1.8	1.5	0.428	15
SSPFNRE9006550	67x54	108	105	50	36	1.8	1.5	0.523	15