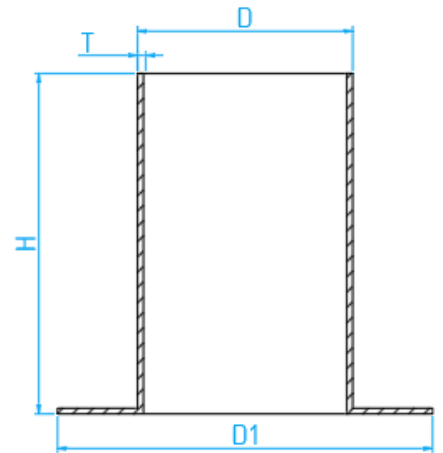


STAINLESS STEEL 304 PRESS FIT FITTINGS

COMPLY WITH BSEN1254-2: 1998



FLANGE SOCKET



CROSS SECTIONAL VIEW

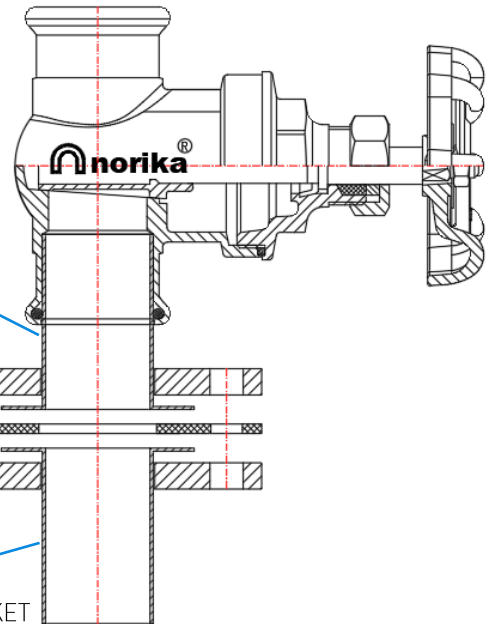
- SS304 FLANGE SOCKET
SKU:SPPFNFP

- DUCTILE IRON FLANGE
SKU: DIFMBL

- EPDM RUBBER GASKET
SKU: RFGN-PUB

- DUCTILE IRON FLANGE
SKU: DIFMBL

- SS304 FLANGE SOCKET
SKU:SPPFNFP



INSTALLATION ASSEMBLY

DIMENSIONS

SKU	DN (mm)	D (mm)	D1 (mm)	H (mm)	T (mm)	WEIGHT (kg)	PCS/CTN
SPPFNFP042	42	42.07	97	90	1.5	0.265	30
SPPFNFP050	54	54.07	107	100	1.5	0.352	45
SPPFNFP065	67	66.75	127	140	1.8	0.635	19
SPPFNFP080	76	76.30	142	150	2.0	0.780	14
SPPFNFP100	108	108.25	160	190	2.0	1.180	8