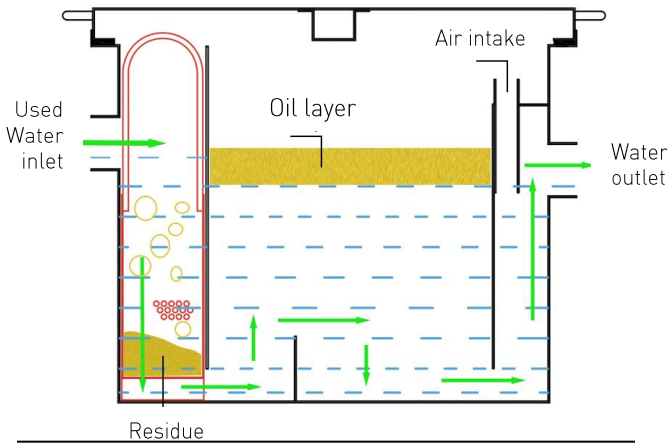


S/STEEL AISI304 PORTABLE GREASE INTERCEPTOR

COMPLY WITH ASME A112.14.3-2000



APPLICATION

Portable grease interceptor is a receptacle located in the restaurant allowing separation and collection of fats, oils and greases (FOG) from the used water, preventing such materials from entering the public sewer system. It is much more compact than the underground grease separator, which can facilitate easy FOG removal.

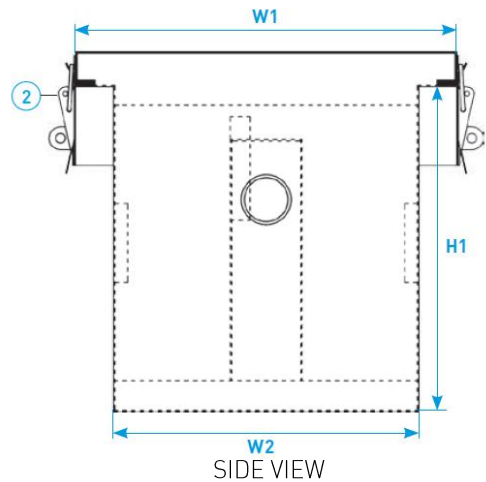
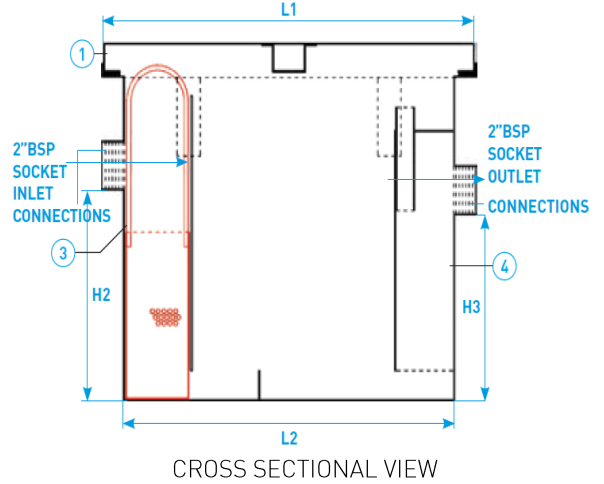
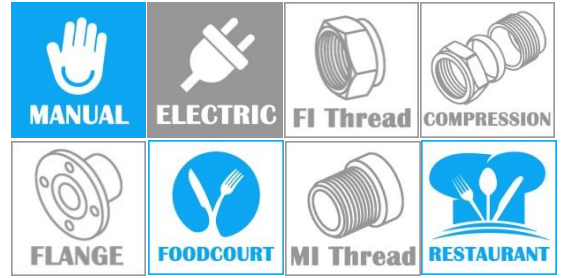
ADVANTAGES

- Easy installation without earthworks
- Compact device results in space saving
- Easy maintenance
- Standard models entirely made out of stainless steel
- Immediate catching of grease

STANDARD SPECIFICATIONS

SKU	L1 (mm)	W1 (mm)	H2 (mm)	L2 (mm)	W2 (mm)	H3 (mm)	H1 (mm)	CONNECTION (inch)	GPM FLOW RATES (litres/s)	CAPACITY (Static)	Weight (kg)	PCS/CTN
PGIN10GL	450	360	215	400	310	190	330	2" BSP	10GL (0.63)	20GL	11.0	1
PGIN25GL	650	490	315	600	440	290	430	2" BSP	25GL (1.58)	25GL	21.0	1
PGIN50GL	762	600	410	712	550	385	535	2" BSP	50GL (3.15)	50GL	37.0	1

*GPM-Gallon Per Minute



COMPONENT PARTS

ITEM	PARTS	MATERIAL
1	Cover	AISI304
2	Lock	AISI304
3	Strainer basket	AISI304
4	Body	AISI304