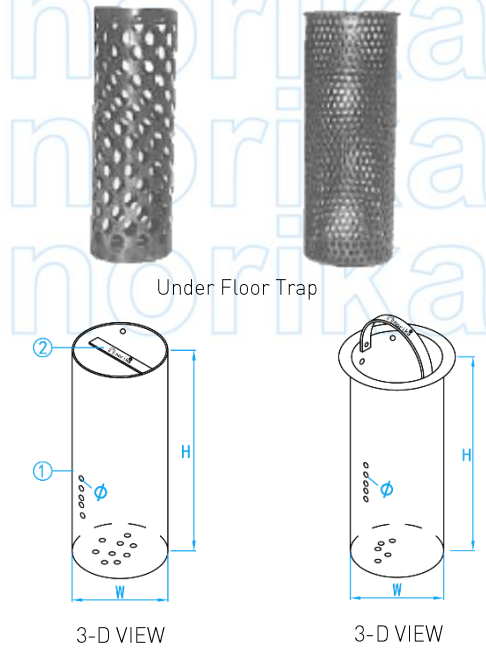
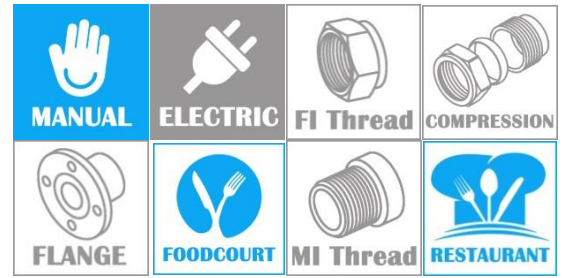
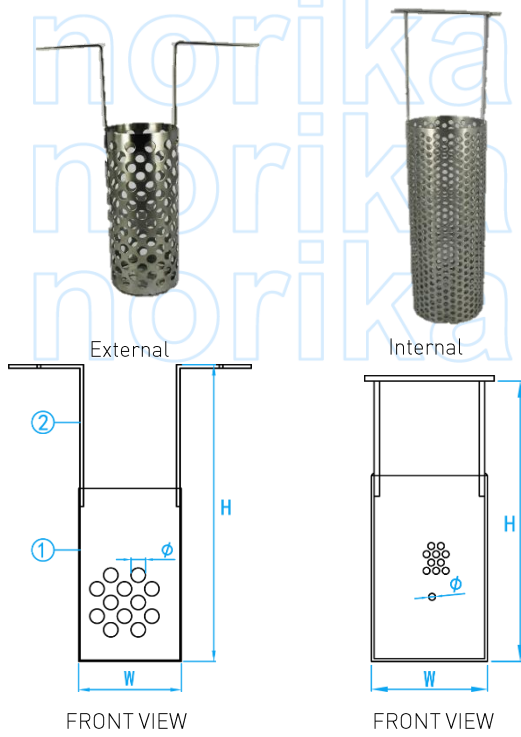


# STAINLESS STEEL AISI304 INTERNAL/EXTERNAL STRAINER BASKET


**COMPONENT PARTS**

ITEM	PARTS	MATERIAL
1	Perforated body	AISI304
2	Handle	AISI304

**APPLICATIONS:**

For general waste traps, used in food courts, restaurants and food Industries.

**DIMENSIONS**

SKU	W (mm)	H (mm)	Ø	WEIGHT (Kg)
SSFTFN065200	65	200	5	0.38
SSFTFN065670	65	670	5	0.60
SSFTFN070180	68	180	5	0.27
SSFTFN070200	68	200	5	0.39
SSFTFN070210	68	210	5	0.40
SSFTFN070370	68	370	5	0.35
SSFTFN080	78	200	5	0.30
SSFTFN08012	78	200	12	0.28
SSFTFN080100	78	100	5	0.35
SSFTFN080200	78	200	5	0.27
SSFTFN080250	78	250	5	0.30
SSFTFN080300	78	300	5	0.32
SSFTFN08030012	78	300	12	0.30

**DIMENSIONS**

SKU	W (mm)	H (mm)	Ø	WEIGHT (Kg)
SSFTFN080370	78	370	5	0.35
SSFTFN080NC	78	200	5	0.30
SSFTFN080NC12	78	200	12	0.29
SSFTFN080370	78	370	5	0.4
SSFTFN080400	80	400	12	0.5
SSFTFN080550	78	550	5	0.6
SSFTFN9022012	85	220	12	0.4
SSFTFN10022012	90	220	12	0.4
SSFTFN10030012	90	300	12	0.6
SSFTFN10037012	90	370	12	0.4
SSFTFN10040012	90	400	12	0.51
SSFTFN145130	145	130	5	1

\*Note: Model size could be customized.