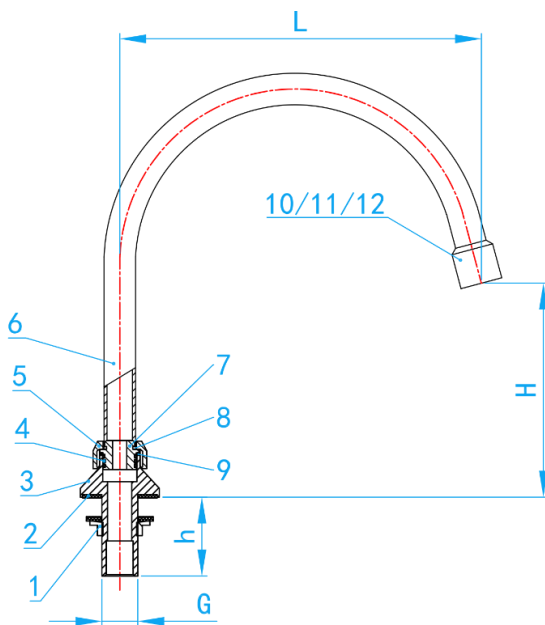
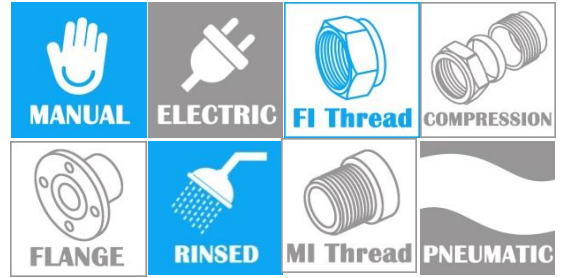


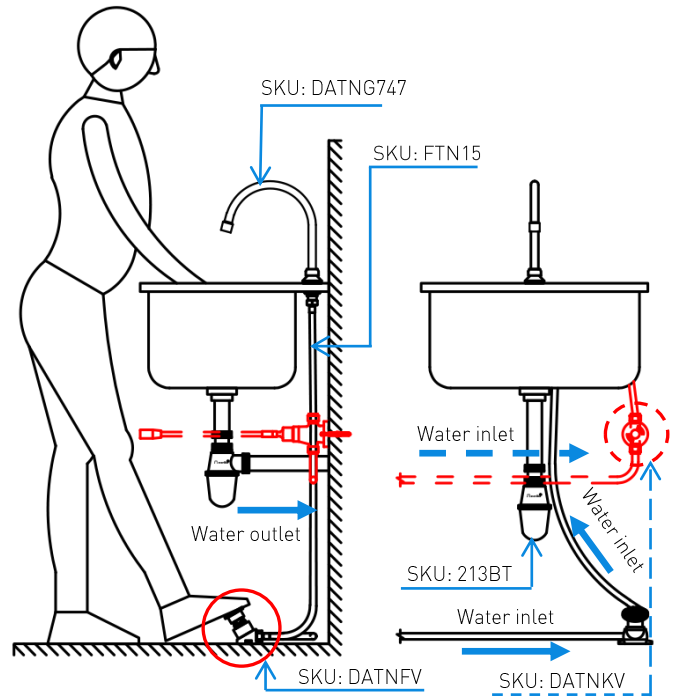
SPOUT FOR THE SINK



SECTION VIEW

STANDARD SPECIFICATIONS	
Nominal pressure	0.6MPa
Working Medium	Water
Working Temperature	0°C ≤ t ≤ 90 °C

STANDARD SPECIFICATIONS						
SKU	G (inch)	L (mm)	H (mm)	h (mm)	WEIGHT (kg)	PCS/CTN
DATNG747	1/2"	206	122	45	0.7	20



APPLICATION

* Compatible with foot operated valve(DATNFV) or knee operated valve(DATNKV) and flexible hose (FTN15-) at kitchen sink or hospital sink.

COMPONENT PARTS		
ITEM	PARTS	MATERIAL
1.	Nut	Brass
2.	Washer	NBR
3.	Body	Brass
4.	O-ring	NBR
5.	Hex Nut	Brass
6.	Pipe	Brass
7.	Connector	Brass
8.	Gasket	PTFE
9.	Gasket	PTFE
10.	Gasket	Silica Gel
11.	Outlet Pressure Ring	Brass
12.	Bubbler	ABS