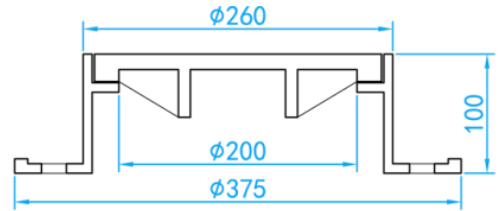
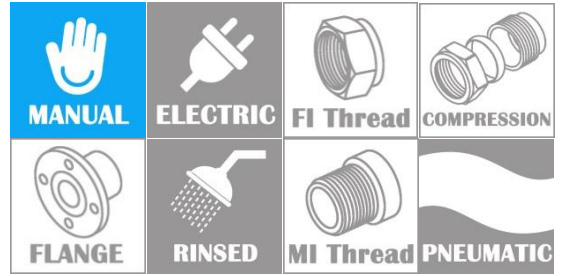
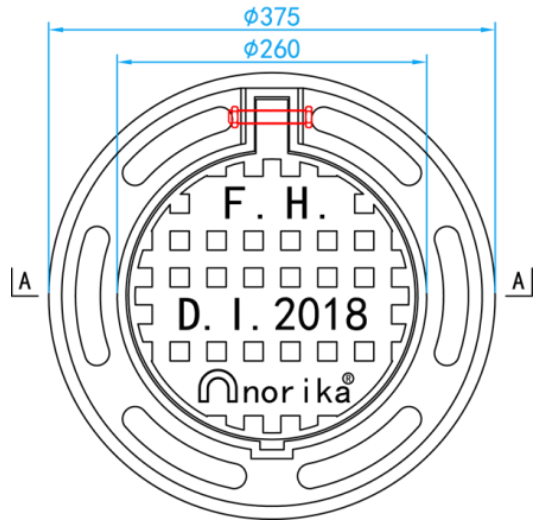


SINGLE VALVE BOX ROUND

COMPLY WITH SS30 : 1999 (A2 Grade)



CROSS SECTIONAL A-A



TOP VIEW

STANDARD SPECIFICATION

SKU	MATERIAL	INTERNAL OPENING(mm)	EXTERNAL (mm)	HEIGHT (mm)	WEIGHT (kg)	APPLICATION
DISVBFHR	Ductile Iron	Ø260	Ø375	100	16	Fire Hydrant
DISVBGASR	Ductile Iron	Ø260	Ø375	100	16	Gas
DISVBPUBR	Ductile Iron	Ø260	Ø375	100	16	PUB

* Please specify type of lettering e.g. 'FH', 'GAS', 'PUB' upon placing order.