

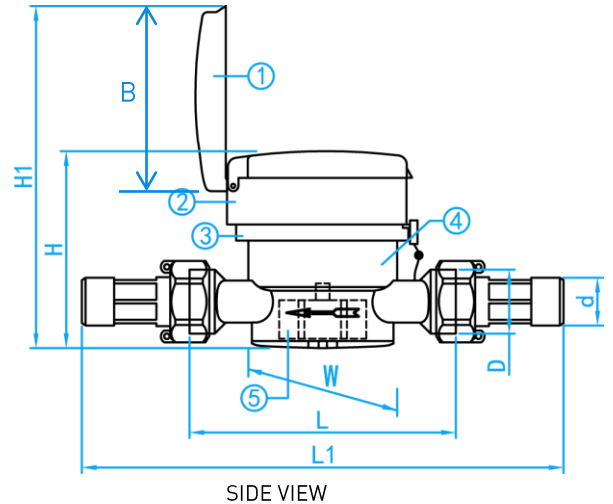
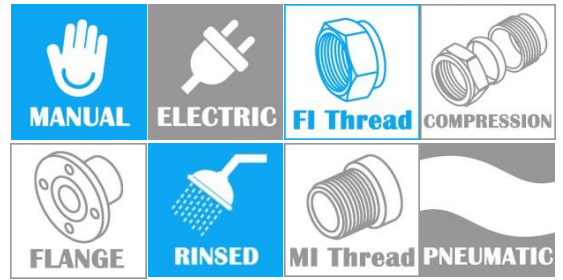
# SINGLE JET DRY DIAL COLD WATER METER (R80)

COMPLY WITH ISO 4064: 2014

BS EN 12165:2016

AS/NZS 4020:2018

SS 375:2015



PUB general requirements for private water meter,

1.Colour ---Grey.

2.Information on the lid--

(a) Water meter usage monitoring purpose

(b) Date of installation and

(c) Remark.

## STANDARD SPECIFICATIONS

Water Temperature 0 - 30°C

Operating Pressure ≤ 1.6Mpa

## COMPONENT PARTS

ITEM	PARTS	MATERIAL
1	Lid	Plastic
2	Sealed Register	ABS
3	Sealing Ring	Brass/Plastic
4	Body	Brass
5	Single Jet Impeller	Plastic

## FLOW RATE SPECIFICATIONS

SKU	SIZE(mm)	QS Maximum flow rate [m <sup>3</sup> /h]	QP Nominal flow rate [m <sup>3</sup> /h]	Qt Transitional flow rate [l/h]	Qmin Minimum flow rate [l/h]
WMN013D	13	3.125	2.500	50	31.25
WMN020	20	5.000	4.000	80	50.00
WMN025	25	7.875	6.300	126	78.75
WMN035	32	12.500	10.000	200	125.00
WMN042	40	31.250	25.000	500	312.50

## DIMENSIONS

SKU	L1(mm)	L(mm)	D(mm)	d(mm)	H(mm)	H1(mm)	W(mm)	B(mm)	WEIGHT (kg)	PCS/CTN
WMN013D	224	110	G ¾"	R ½"	84.5	145.5	81.5	70	0.550	20
WMN020	234	130	G 1"	R ¾"	84.5	145.5	81.5	70	0.815	20
WMN025	380	160	G 1-1/4"	R1"	106	167	84	70	1.915	10
WMN035	280	160	G 1-1/2"	R1-1/4"	106	167	84	70	1.875	5
WMN042	331	200	G 2"	R 1-1/2"	126	184	110	70	3.230	3

\*1) Ensure water meter is installed in the correct water flow direction.

2) Always ensure to select the correct size and spec for the meter.

3) All of the above water meters are only suitable to be installed in the horizontal position. Failing to comply will result in damaging the meter and warranty will be voided.