

# SS304 INSULATED COPPER PIPE CLAMP

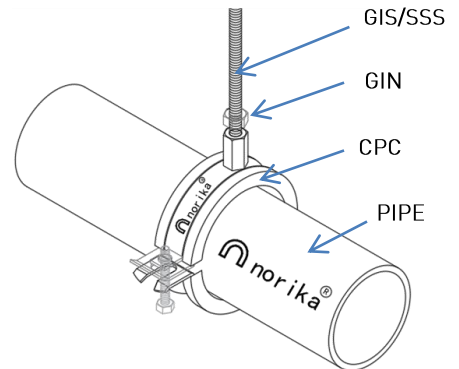
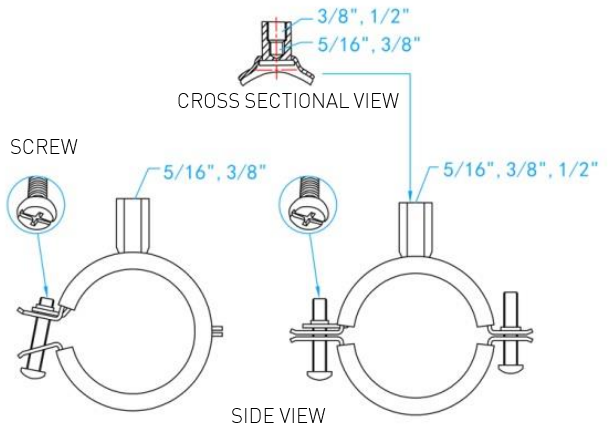


CPC010N1-304 TO  
CPC050N1-304

CPC065N1-304 TO  
CPC150N1-304



CPC200N1-304 and Above



INSTALLATION ASSEMBLY

STANDARD SPECIFICATIONS

Materials	AISI304
Connection	5/16" & 3/8" & 1/2" [Projection Welded]
Screw	M8-DIN933-8.8
Acoustic Insulation	26dB [EMPA Nr 179143]
Type Of Rubber	EPDM, 53 Shore ,5mm thick

STANDARD SPECIFICATIONS			APPLICABLE PIPE SIZE									
SKU	OD RANGE (mm)	CONNECTION	S/STEEL COPPER (mm)	SS141 UPVC (mm)	VP/VU (mm)	SS213 (mm)	HUBLESS CASTIRON (mm)	EPOXY/GI STEEL (mm)	PPR (mm)	PEX (mm)	WEIGHT (kg)	PCS/CTN
CPC010N1-304	15-18	5/16" & 3/8"	15	-	13	-	-	-	-	16	0.060	300
CPC015N1-304	20-23	5/16" & 3/8"	22	16	16	-	-	15	20	20	0.059	250
CPC020N1-304	25-29	5/16" & 3/8"	25	20	20	-	-	20	25	25	0.070	250
CPC025N1-304	31-36	5/16" & 3/8"	35	25	25	35	-	25	32	32	0.076	200
CPC035N1-304	37-43	5/16" & 3/8"	42	30	30	42	-	35	40	40	0.082	150
CPC042N1-304	47-54	5/16" & 3/8"	54	-	42	55	-	42	50	50	0.099	100
CPC050N1-304	55-63	5/16" & 3/8"	67	50	50	-	50	50	63	63	0.170	100
CPC065N1-304	66-77	5/16" & 3/8"	76	-	65	-	-	65	75	75	0.185	100
CPC080N1-304	82-90	3/8" & 1/2"	-	-	-	80	80	80	-	-	0.280	50
CPC100N1-304	108-115	3/8" & 1/2"	108	100	100	100	100	100	-	-	0.315	50
CPC125N1-304	139-142	3/8" & 1/2"	-	-	125	-	125	125	-	-	0.355	25
CPC150N1-304	159-169	3/8" & 1/2"	159	-	-	150	150	150	150	-	0.420	20
CPC200N1-304	215-220	3/8" & 1/2"	-	-	200	-	200	-	-	-	0.472	10
CPC250N1-304	267-277	3/8" & 1/2"	-	-	-	-	250	-	-	-	0.576	20
CPC300N1-304	311-321	3/8" & 1/2"	-	-	-	-	300	-	-	-	0.648	15
CPC350N1-304	355-365	3/8" & 1/2"	-	-	-	-	360	-	-	-	0.723	10