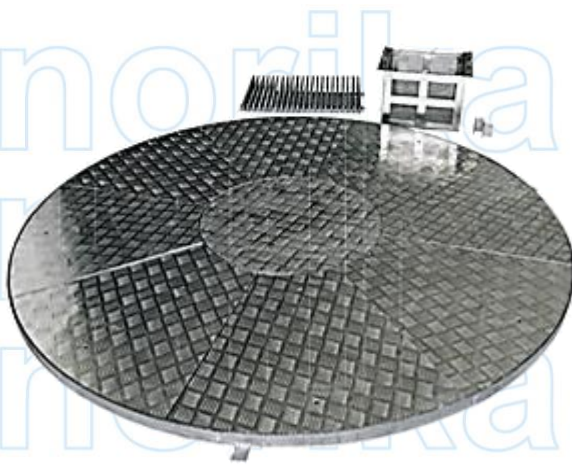
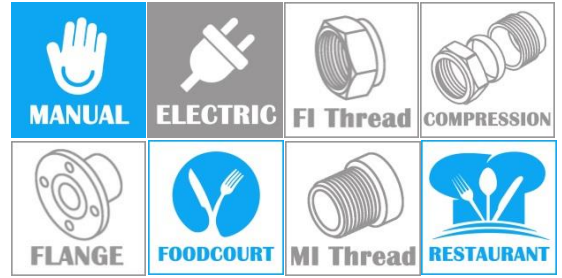
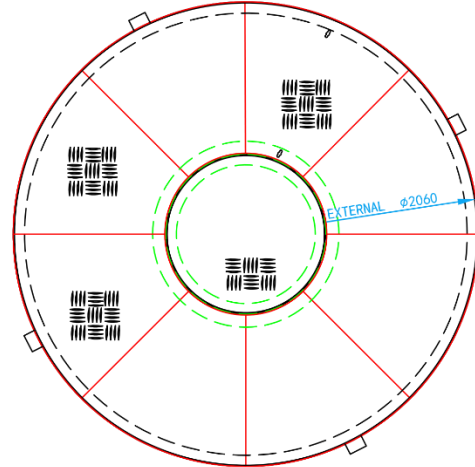


REVERSIBLE GREASE TRAP FRAME & COVER 1800 (CHEQUERED SIDE)

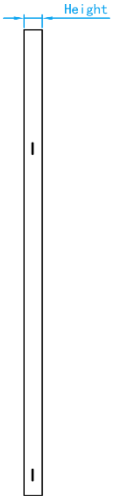
COMPLY WITH GENERAL REQUIREMENTS OF
PUB/WRN/STD/040B



RCGTC1800AF
RCGTC1800MSAF

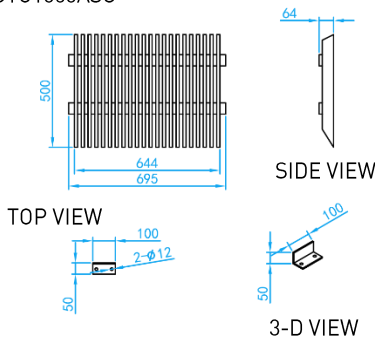


TOP VIEW



SIDE VIEW

RCGTC1050ASG

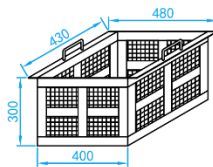


TOP VIEW

SIDE VIEW

3-D VIEW

RCGTC1800ASB



3-D VIEW

*** Available for aluminium and mild steel material**

COMPONENT ITEMS FOR FULL SET

NO	STOCK CODE
1	RCGTC1800AF / RCGTC1800MSAF
2	RCGTC150ASG
3	RCGTC1800ASB

DIMENSIONS

SKU	MATERIAL	EXTERNAL[mm]	HEIGHT [mm]	WEIGHT [kg]
RCGTC1800	Aluminium	$\phi 2060$	50	140
RCGTC1800MS	Hot Dipped Galvanized Mild-Steel	$\phi 2060$	50	250