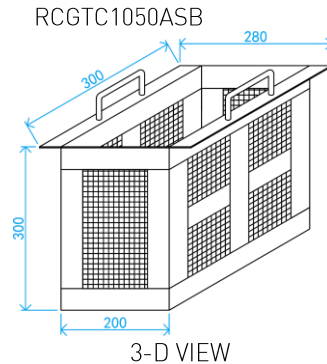
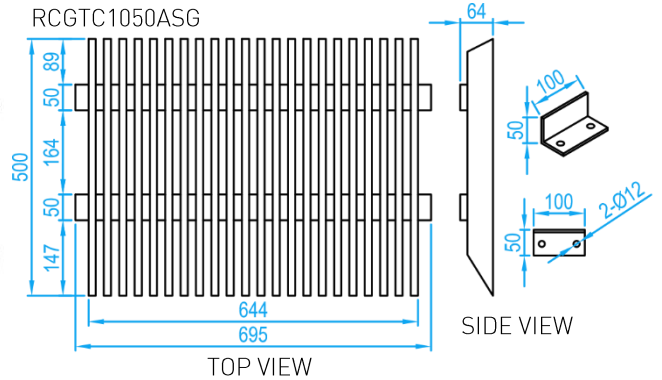


REVERSIBLE GREASE TRAP FRAME & COVER 1050 (CHEQUERED SIDE)

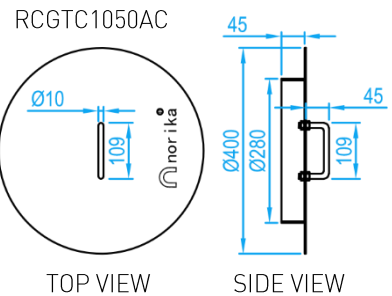
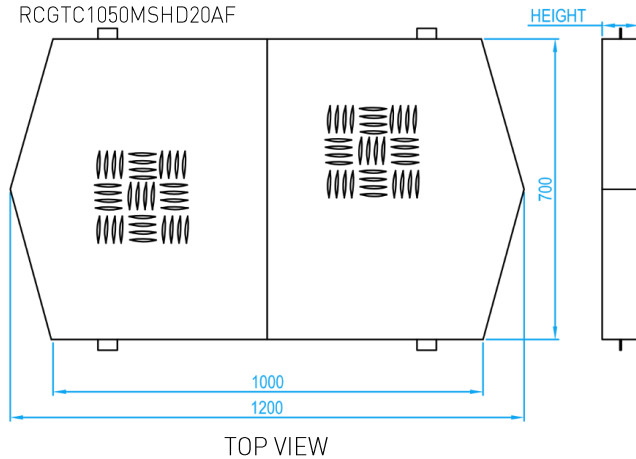
COMPLY WITH GENERAL REQUIREMENTS OF
PUB/WRN/STD/041



SKU: RCGTC1050, RCGTC1050MS
RCGTC1050MSHD20



RCGTC1050AF, RCGTC1050MSAF
RCGTC1050MSHD20AF



*** Available for aluminium and mild steel material**

DIMENSIONS

SKU	MATERIAL	EXTERNAL[mm]	HEIGHT [mm]	WEIGHT [kg]
RCGTC1050	Aluminium	1200 X 700	53	20
RCGTC1050MS	Mild-Steel	1200 X 700	50	40
RCGTC1050MSHD20	Mild-Steel	1200 X 700	80	150