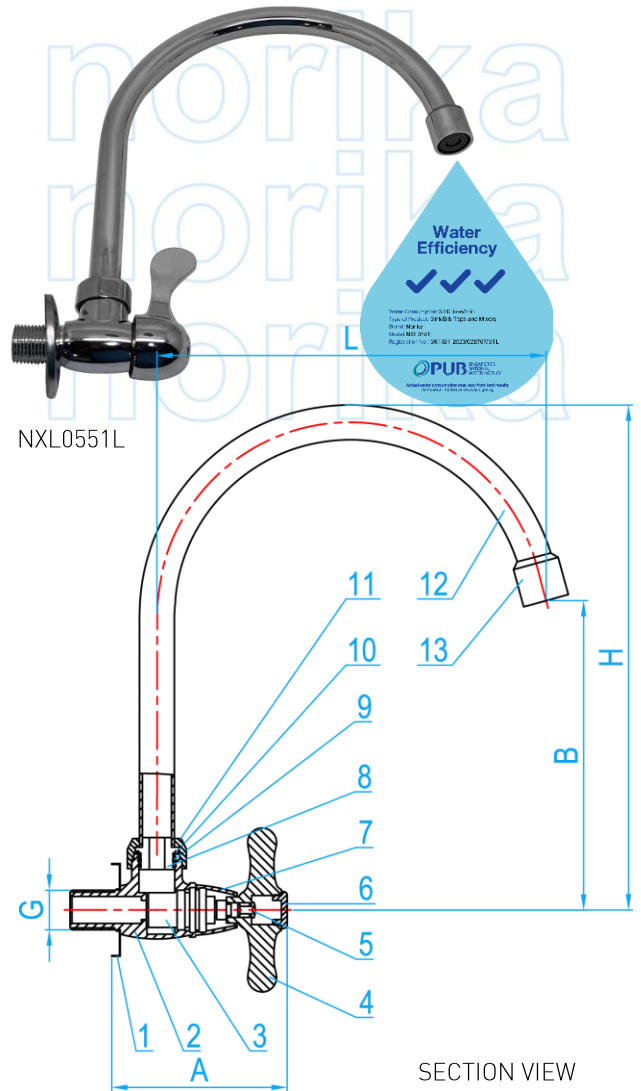
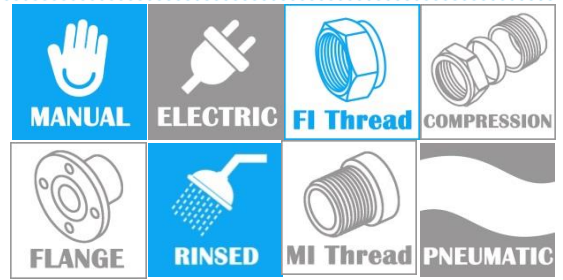


CROSS HANDLE & LEVER HANDLE QUICK ACTION WALL SINK TAP

COMPLY WITH BS EN200:2008
BSEN248:2002
AS/NZS4020:2005
SS375 PART 1



NXL0551

COMPONENT PARTS

ITEM	PARTS	MATERIAL
1	Cover	AISI304
2	Body	DZR Brass
3	Piston	Ceramic+ Brass+ EPDM
4	Handle	Zinc alloy
5	Screw	AISI304
6	Cap	ABS
7	Cover (Cross handle's)	Brass
8	Connector	Brass
9	O-Ring	EPDM
10	Gasket	PTFE
11	Nut	Brass
12	Outlet Pipe	Brass
13	Outlet Assembly	EPDM/ Brass/ POM

STANDARD SPECIFICATIONS

Nominal pressure	PN 2.0
Working Medium	Water
Working Temperature	t ≤ 90 °C

SPECIFICATIONS

SKU	G (inch)	H (mm)	A (mm)	B (mm)	L (mm)	Remarks/Optional	WEIGHT (Kg)	PCS/CTN
NXL0551	1/2" BSP	255	91	160	210	Cross handle	0.62	20
NXL0551L			73			Lever handle	0.54	