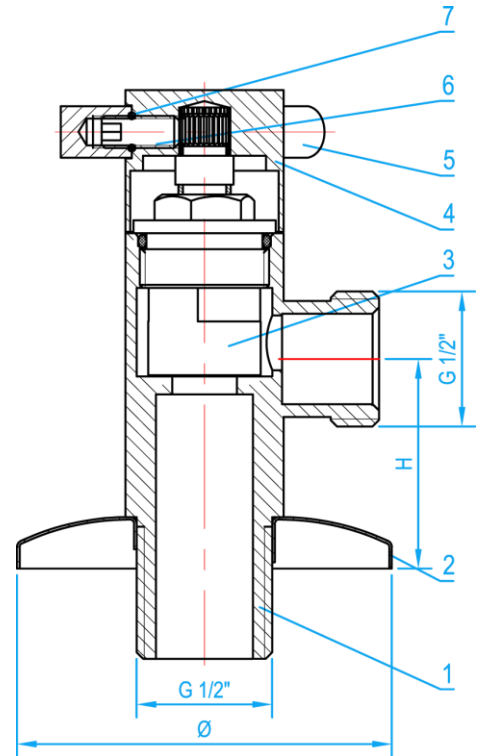
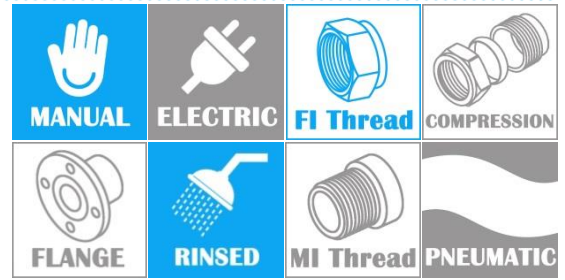


QUICK TURN ACTION CROSSED CYLINDRICAL SPOKE DESIGNER ANGLE VALVE



SECTION VIEW

COMPONENT PARTS

ITEM	PARTS	MATERIAL
1	Body	DZR Brass
2	Decorative cover	Brass
3	Piston	Ceramic+ Brass
4	Handle	Brass
5	Lever	Brass
6	Screw	A3
7	O-Ring	NBR

STANDARD SPECIFICATIONS

Nominal pressure	1.0 MPa
Working Medium	Water
Working Temperature	$t \leq 90\text{ }^{\circ}\text{C}$

SPECIFICATIONS

SKU	Size (inch)	\varnothing (mm)	H (mm)	WEIGHT (Kg)	PCS/CTN
NJ23	1/2" BSP	58	32.5	0.125	100