

QUICK FIT INSULATED COPPER PIPE CLAMP

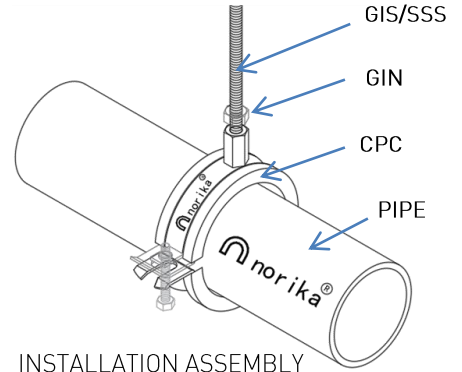
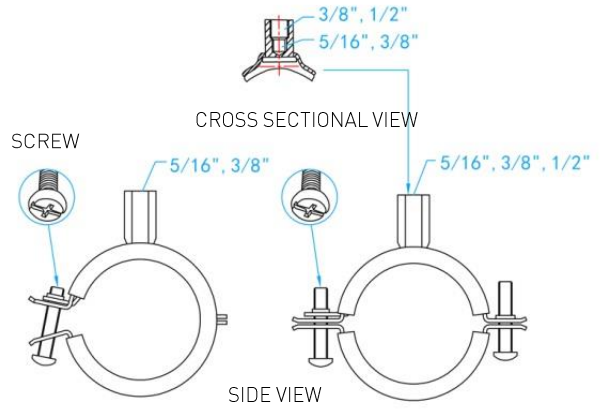


CPC010N1-CPC050N1

CPC065N1 TO CPC150N1



CPC200N1 and above



STANDARD SPECIFICATIONS

| | |
|---------------------|---|
| Materials | ST W22 DIN 1614/1016 |
| Finish | Bright Zinc Plated |
| Connection | 5/16" & 3/8" & 1/2" [Projection Welded] |
| Screw | M8-DIN933-8.8 |
| Acoustic Insulation | 26dB [EMPA Nr 179143] |
| Type Of Rubber | EPDM, 53 Shore ,5mm thick |

| STANDARD SPECIFICATIONS | | | APPLICABLE PIPE SIZE | | | | | | | | | PACKING | | | | |
|-------------------------|---------------|----------------------------|----------------------|------------|------------|------------|---------------------|------------------------|-----------------|----------|----------|-------------|-----------|--------------|---------------|---------------|
| SKU | OD RANGE (mm) | CONNECTION | VP/VU (mm) | SS213 (mm) | SS141 (mm) | SCH80 (mm) | COPPER S/STEEL (mm) | HUBLESS CAST IRON (mm) | GI GRADE B (mm) | PPR (mm) | PEX (mm) | WEIGHT (kg) | CTN (NOS) | PALLET (NOS) | 20GP (PALLET) | 40HQ (PALLET) |
| CPC010N1 | 15-18 | 5/16" & 3/8" | 13 | - | - | - | 15 | - | - | - | 16 | 0.048 | 300 | 12,600 | 28 | 56 |
| CPC015N1 | 20-23 | 5/16" & 3/8" | 15 | - | 15 | 15 | 20 | - | 15 | 20 | 20 | 0.054 | 250 | 10,500 | 28 | 56 |
| CPC020N1 | 25-29 | 5/16" & 3/8" | 20 | - | 20 | 20 | 25 | - | 20 | 25 | 25 | 0.060 | 250 | 9,000 | 28 | 56 |
| CPC025N1 | 31-36 | 5/16" & 3/8" | 25 | 35 | 25 | 25 | 35 | - | 25 | 32 | 32 | 0.065 | 200 | 7,200 | 28 | 56 |
| CPC035N1 | 37-43 | 5/16" & 3/8" | 35 | 42 | 35 | 35 | 42 | - | 35 | 40 | 40 | 0.073 | 150 | 6,300 | 28 | 56 |
| CPC042N1 | 47-54 | 5/16" & 3/8" | 42 | - | 42 | 42 | 50 | - | 42 | 50 | 50 | 0.083 | 100 | 5,400 | 28 | 56 |
| CPC050N1 | 55-63 | 5/16" & 3/8" | 50 | 50 | 50 | 50 | 50 | 50 | 50 | 63 | 63 | 0.124 | 100 | 4,200 | 28 | 56 |
| CPC065N1 | 66-77 | 5/16" & 3/8" | 65 | 65 | 65 | 65 | 65/80 | - | 65 | 75 | 75 | 0.140 | 100 | 3,000 | 28 | 56 |
| CPC080N1 | 82-90 | 5/16" & 3/8" & 3/8" & 1/2" | 80 | 80 | 80 | 80 | - | 80 | 80 | 90 | - | 0.157 | 50 | 2,100 | 28 | 56 |
| CPC100N1 | 108-115 | 3/8" & 1/2" | 100 | 100 | 100 | 100 | 100 | 100 | 100 | 110 | - | 0.285 | 50 | 1,200 | 28 | 56 |
| CPC125N1 | 139-142 | 3/8" & 1/2" | 125 | - | 125 | 125 | - | - | 125 | - | - | 0.336 | 25 | 900 | 28 | 56 |
| CPC150N1 | 159-169 | 3/8" & 1/2" | 150 | 150 | 150 | 150 | 150 | 150 | 150 | - | - | 0.380 | 20 | 720 | 28 | 56 |
| CPC200N1 | 215-220 | 3/8" & 1/2" | 200 | - | - | - | - | 200 | - | - | - | 0.475 | 20 | 480 | 28 | 56 |
| CPC250N1 | 267-277 | 3/8" & 1/2" | - | - | - | - | - | 250 | - | - | - | 0.576 | 20 | - | - | - |
| CPC300N1 | 311-321 | 3/8" & 1/2" | - | - | - | - | - | 300 | - | - | - | 0.648 | 15 | - | - | - |
| CPC350N1 | 355-365 | 3/8" & 1/2" | - | - | - | - | - | 360 | - | - | - | 0.723 | 10 | - | - | - |