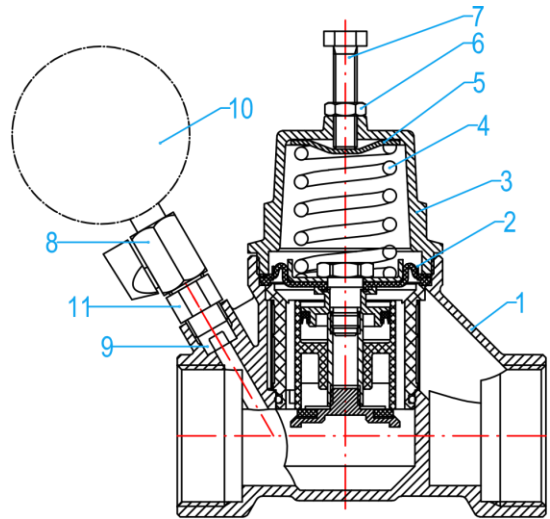
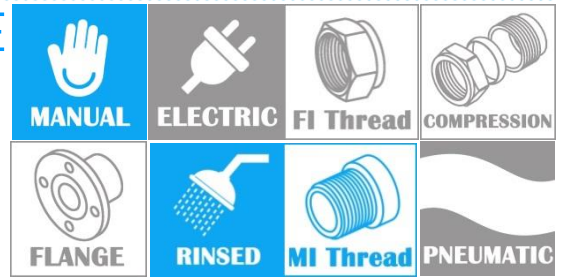


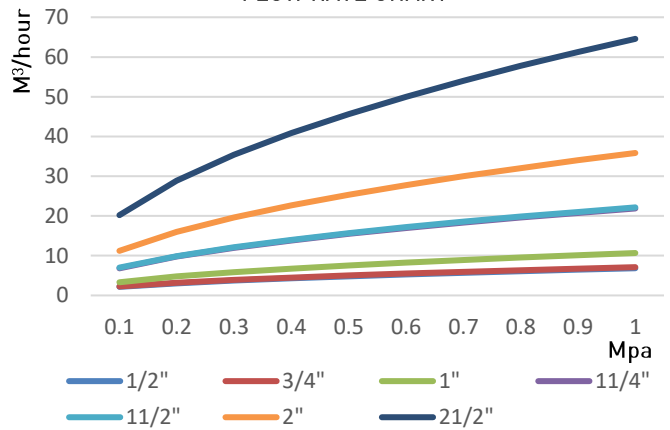
PRESSURE REDUCING VALVE (DIRECT OPERATED) DIAPHRAGM TYPE

COMPLY WITH BSEN1567-2000



CROSS SECTIONAL VIEW

FLOW RATE CHART



STANDARD SPECIFICATIONS

| | |
|----------------------------------|----------------|
| Inlet Pressure | ≤1.6MPa |
| Working Medium | Water |
| Working Temperature | 0°C ≤ t ≤ 85°C |
| Outlet Pressure Adjustable Range | 0.15 ~ 0.45MPa |

DIMENSIONS

| SKU | SIZE (mm) | L (mm) | H (mm) | G (mm) | Ø (mm) | Weight (kg) | PCS/CTN |
|-----------|-----------|--------|--------|--------|--------|-------------|---------|
| PRVCRN015 | 15 | 78 | 91 | 1/4" | 40 | 0.435 | 48 |
| PRVCRN020 | 20 | 78 | 91 | 1/4" | 40 | 0.465 | 48 |
| PRVCRN025 | 25 | 94 | 119 | 1/4" | 60 | 0.810 | 24 |
| PRVCRN035 | 35 | 125 | 137 | 1/4" | 60 | 1.450 | 12 |
| PRVCRN040 | 40 | 125 | 137 | 1/4" | 60 | 1.520 | 12 |
| PRVCRN050 | 50 | 145 | 157 | 1/4" | 60 | 2.345 | 8 |
| PRVCRN065 | 65 | 185 | 225 | 1/4" | 60 | 4.800 | 4 |

COMPONENT PARTS

| ITEM | PARTS | MATERIAL |
|------|---------------------|-----------------------|
| 1 | Body | DZR Brass |
| 2 | Diaphragm Washer | EPDM |
| 3 | Head | DZR Brass |
| 4 | Compression Spring | AISI304 |
| 5 | Spring Seat | AISI304 |
| 6 | Compression Nut | AISI304 |
| 7 | Hexagon Headed Bolt | AISI304 |
| 8 | Miniball Valve | DZR Brass |
| 9 | Rubber Gasket | EPDM |
| 10 | Pressure Gauge | 1/4" brass connection |
| 11 | Bush (SKU: CRA006) | DZR Brass |