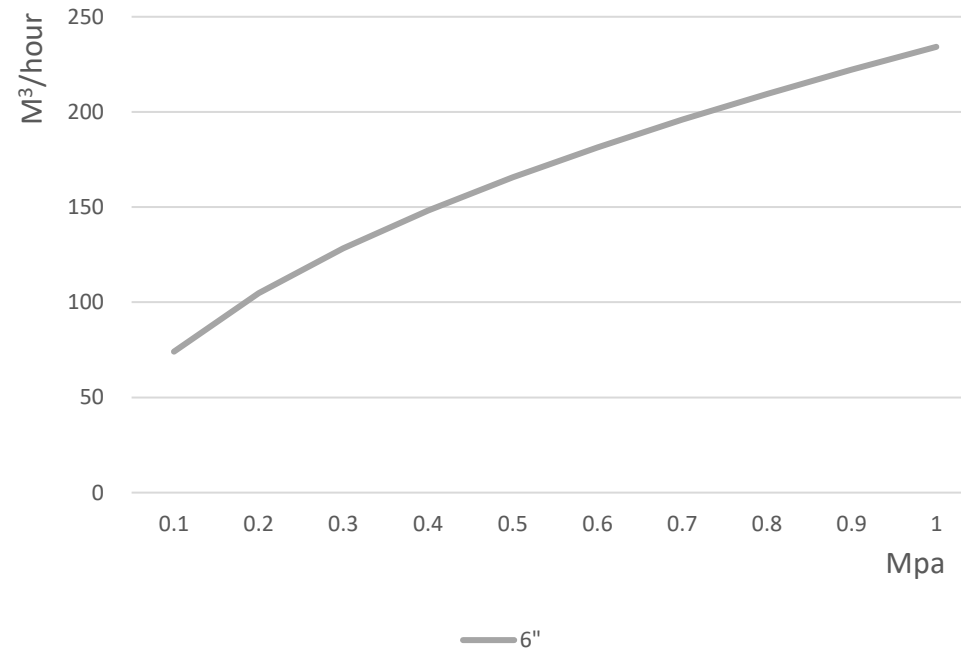


PRVCRN-FH FLOW RATE CHART



Pressure Size (inch) \ (Mpa)	0.1	0.2	0.3	0.4	0.5	0.6	0.7	0.8	0.9	1.0
6"	74.058	104.734	128.272	148.116	165.599	181.404	195.939	209.468	222.174	234.192

法兰式减压阀说明书

一. 用途

本产品通过调节，将设备和管路内的介质压力减至某一需要的出口压力，并依靠介质本身的能量使出口压力自动保持稳定。

二、结构和性能特点：

本产品是一种副阀式减压阀，副阀式采用平衡式结构，用活塞和弹簧作为敏感元件，设计中特别考虑阀瓣的升降的稳定性。本产品采用优质耐磨材料和良好的加工工艺，确保零件工作平稳。密封圈采用标准件，便于采购更换，阀瓣采用增强丁腈橡胶，确保可靠的静态减压。本产品体积小安装高度低，特别适用大流量大口径管路系统，工作平稳，密封可靠寿命长，调压范围大。出口压力稳定性好。

三. 技术参数：

- 公称压力：1.6 Mpa
- 介质：水
- 工作温度： $0^{\circ}\text{C} < t \leq 70^{\circ}\text{C}$
- 理想的出口调压范围：0.1~0.7 Mpa
- 规格：DN80~DN100

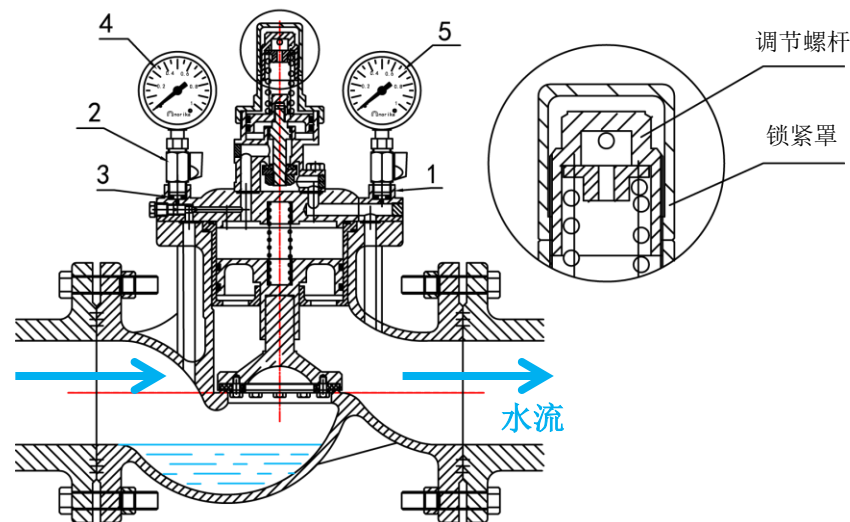
四. 安装：

1. 阀体所示箭头是介质流动方向。安装时进出口不能倒接，否则减压阀不能打开，还要损坏阀门零件。
2. **本产品应水平安装**，建议在阀门入口端安装过滤器去除杂质。
3. 本产品留有进、出口压力表安装接口（图中1），并配有专用的压力表接头（图中2）和密封圈（图中3），出厂时接口用螺塞封住，不需要装压力表的用戶可直接使用。
4. 出厂时本产品不配装压力表，需装压力表的用戶可直接从市场购买，并请管道工旋出接口的旋塞，规格DN50~65先装上专用的压力表接头和密封圈，就可装压力表；规格DN80~100可直接装上压力表。
5. 本产品适用如下规格压力表：

- ①表面直径 60 毫米
- ②表面满值：进口压力表（图中4）为 3Mpa；出口压力表（图中5）为 $\geq 1\text{MPa}$
- ③连接螺纹为G1/4"。用户要求本产品出厂就装有压力表的，应事先约定。

五. 调压（DN80~100）

1. 逆时针旋出锁紧罩（见图）。
2. 顺时针旋转调压螺杆（见图），出口压力调高；逆时针旋转调压螺杆出口压力调低。
3. 初次通水试压，应先调高出口端压力，进行冲洗，排除管路内可能存在的杂物与空气。
4. 压力调定后，旋上锁紧罩并拧紧，以锁定调节螺杆。



★ 水平安装，不建议竖向或倾斜安装！

Flange Pressure Reducing Valve Manual

USE:

The product can reduce the pressure of the medium in the equipment and the pipeline to a required outlet pressure, and keep the outlet pressure automatically stable by the energy of the medium itself.

STRUCTURE AND PERFORMANCE CHARACTERISTICS :

This product is a kind of auxiliary valve type valve, valve adopts balanced side structure for piston and spring as a sensitive element, especially considering the stability of lifting the valve's design. This product adopts high-quality wear-resisting material and good processing, ensure parts work smoothly. The sealing ring using standard parts, easy to purchase replacement the valve, to enhance the use of nitrile rubber, ensure the static decompression reliable. This product has the advantages of small volume low installation height, especially for the large flow of large diameter pipeline system, stable operation, reliable sealing and long service life, high voltage range. The outlet pressure stability is good.

TECHNICAL PARAMETER :

- Nominal Pressure : 1.6 Mpa
- Medium: Water
- Working Temperature : $0^{\circ}\text{C} < t \leq 70^{\circ}\text{C}$
- Outlet Voltage Regulation Range : 0.1~0.7 Mpa
- Size: DN80~DN100

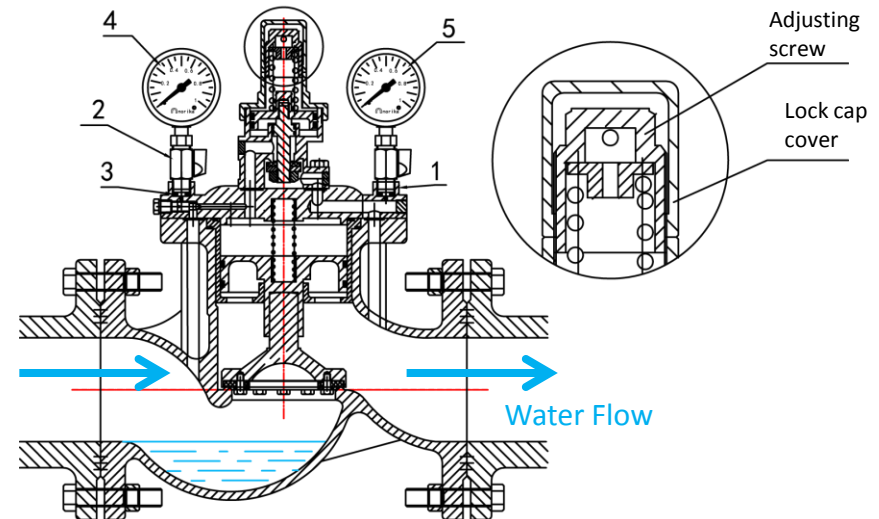
INSTALLATION:

1. The arrow shown in the valve is the direction of the flow of the medium. When the installation, the import and export can not be reversed, otherwise the pressure valve can not be opened, but also damage the valve parts
2. **This product should be installed horizontally.** And filters should be installed at the inlet end of the valve to remove impurities.
3. This product is left, outlet pressure gauge installation interface (Figure 1), and is equipped with pressure gauge special joint (Figure 2) and a sealing ring (Figure 3), the factory interface is sealed by the screw plug, the user does not need to install the pressure gauge can be used directly.
4. This product is equipped with the factory needs to install the pressure gauge, pressure gauge users can buy directly from the market, and the plumber screwed out of the interface specification of DN50~65 plug, first installed with special pressure gauge connector and a sealing ring can be mounted pressure gauges; specification of DN80~100 can be directly installed on the pressure gauge .
5. This product applies the following specifications of pressure gauges :

- ① Surface diameter 60 mm.
- ② The surface of full value: the inlet pressure meter (Figure 4) is 3Mpa; the outlet pressure gauge (Figure 5) for more than 1MPa.
- ③ The connecting thread is G1/4". The user shall require the product to be equipped with a pressure gauge before leaving the factory, and it should be stipulated in advance .

PRESSURE REGULATING (DN80~100):

1. Unscrew the lock housing counterclockwise (see Figure).
2. Turn the adjusting screw clockwise (see Figure), raise the outlet pressure, turn the screw counterclockwise, and adjust the screw outlet pressure.
3. For the first time, the pressure at the outlet should be raised to flush and eliminate impurities and air that may exist in the pipeline .
4. After pressure setting, screw the locking cover tightly and tighten to lock the adjusting screw.



★ Horizontal installation.

Vertical or tilt installation is not recommended!