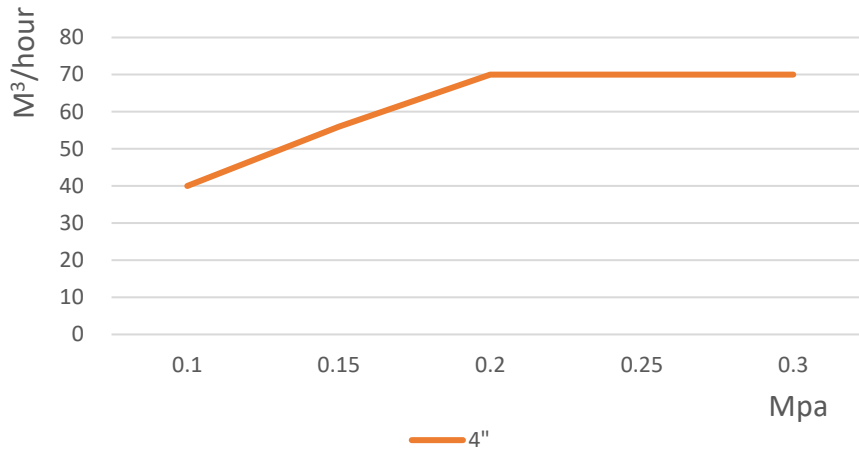


PRVCRN-F FLOW RATE CHART



Pressure (Mpa) / Size	0.1	0.15	0.2	0.25	0.3
4"	40.000	56.000	70.000	70.000	70.000

一、技术要求:

1. 公称压力: 1.6MPa;
2. 工作介质: 水;
3. 工作温度: $0\text{ }^{\circ}\text{C} < t \leq 80\text{ }^{\circ}\text{C}$;
4. 最高进口压力: 1.6MPa;
5. 出口压力可调范围 $0.10\sim 0.30\text{MPa}$;
6. 出厂设定出口压力: 0.2MPa;

二、用途:

本产品通过调节, 将设备和管路内的介质压力减至某一需要的出口压力, 并依靠介质本身的能量使出口压力自动保持稳定。

三、结构和性能特点:

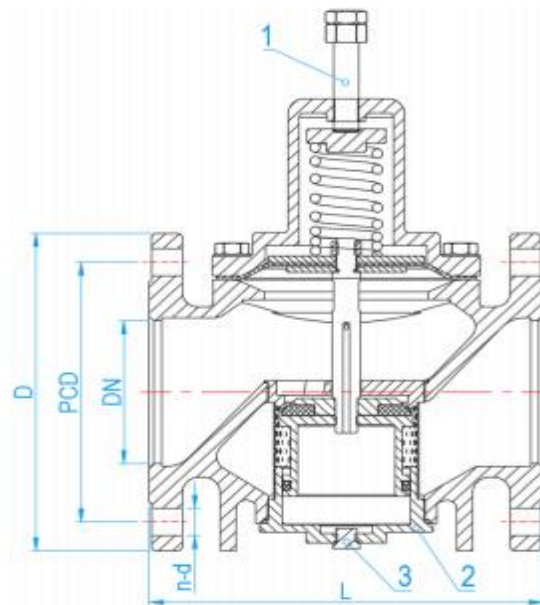
1. 本产品是一种过滤型可调式减压阀, 用膜片和弹簧作为敏感元件, 设计中特别考虑阀瓣的升降的稳定性。本产品采用优质耐磨材料和良好的加工工艺, 确保零件工作平稳。
2. 涉水零件采用青铜和304材质, 以符合AS/NZS 4020:2005。
3. 所有橡胶件采用EPDM橡胶, 确保可靠的静态减压。本产品特别适用大流量大口径管路系统, 工作平稳, 密封可靠寿命长, 出口压力稳定性好。

四、安装:

1. 阀体所示箭头是介质流动方向。安装时进出口不能倒接, 否则减压阀不能打开, 还要损坏阀门零件。
2. 本产品需水平, 建议在阀门入口端安装过滤器去除杂质。
3. 本产品进出口预设安装压力表接口。出厂时本产品配备压力表。
4. 本产品适用如下规格压力表: 连接螺纹为G1/4”。

五、调压:

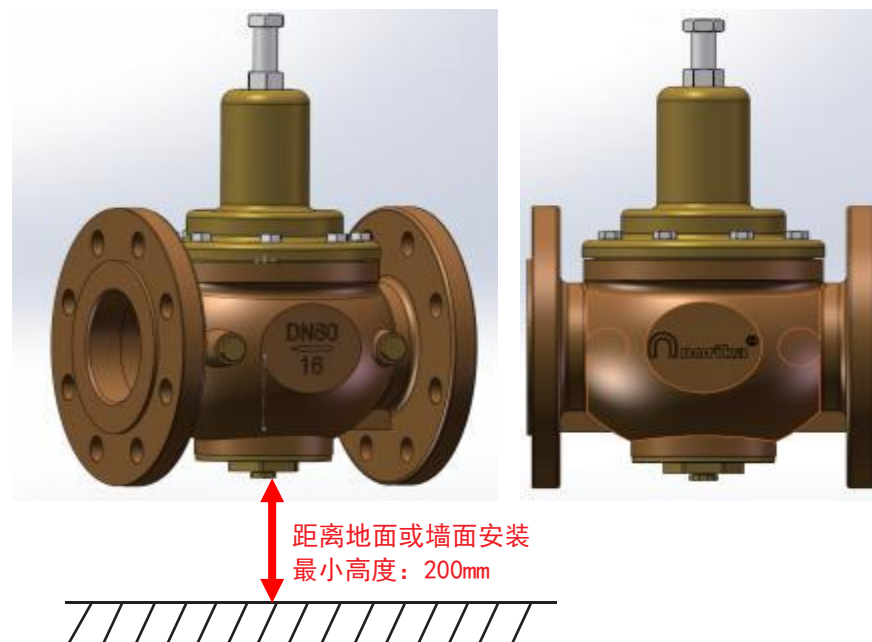
1. 顺时针旋转六角螺栓(图 序号1), 出口压力调高; 逆时针旋转六角螺栓出口压力调低。
2. 初次通水试压, 应先调高出口端压力, 进行冲洗, 排除管路内可能存在的杂物与空气。
3. 压力调定后, 将六角螺母并紧在上阀盖顶端, 以锁定六角螺栓。



☆ 排污水时, 需旋出序号3底盖:

☆ 清洗阀门时, 需旋出序号2下阀盖, 并清洗过滤网。

型号	DN	PCD	D	L	n-d
PRVCRN080F	80	160	200	225	8-18
PRVCRN100F	99	180	220	250	8-18



I 、 Technical:

1. Nominal pressure: 1.6MPa;
2. Working medium: water;
3. operation temperature: $0\text{ }^{\circ}\text{C} < t \leq 80\text{ }^{\circ}\text{C}$
4. Maximum inlet pressure: 1.6MPa;
5. The adjustable range of outlet pressure is 0.10~0.30MPa;
6. Factory set outlet pressure: 0.2MPa;

II 、 Applications

This product reduces the pressure of the medium in the equipment and pipelines to a certain required outlet pressure through adjustment, and relies on the energy of the medium itself to automatically maintain stable outlet pressure.

III 、 Structure and performance characteristics:

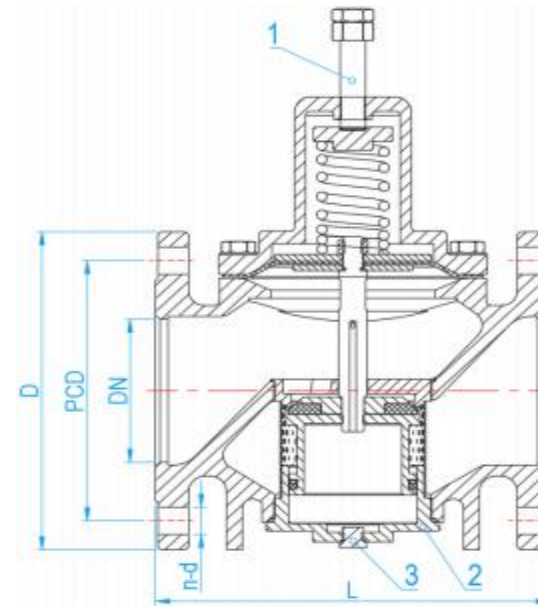
1. This product is a filter type adjustable pressure reducing valve, which uses a diaphragm and spring as sensitive components. In the design, special consideration is given to the stability of the valve disc's lifting. This product uses high-quality wear-resistant materials and good processing technology to ensure the smooth operation of the parts.
2. The water related parts are made of bronze and 304 materials to comply with AS/NZS 4020:2005.
3. All rubber components are made of EPDM rubber to ensure reliable static pressure reduction. This product is particularly suitable for large flow and large diameter pipeline systems, with stable operation, reliable sealing, long service life, and good outlet pressure stability.

IV 、 Installation:

1. The arrow on the valve body indicates the direction of medium flow. During installation, the inlet and outlet should not be reversed, otherwise the pressure reducing valve cannot be opened and valve parts may be damaged.
2. This product needs to be level. It is recommended to install a filter at the inlet of the valve to remove impurities.
3. The import and export of this product are preset with pressure gauge interfaces. This product is equipped with a pressure gauge when leaving the factory.
4. This product is suitable for the following specifications of pressure gauges: the connecting thread is G 1/4".

V 、 Pressure Adjustment Guide:

1. Rotate the hexagonal bolt clockwise (Figure No. 1) to increase the outlet pressure; Rotate the hexagonal bolt counterclockwise to lower the outlet pressure.
2. For the initial water pressure test, the outlet pressure should be increased first, and the pipeline should be flushed to remove any debris and air that may be present.
3. After setting the pressure, tighten the hex nut onto the top of the upper valve cover to lock the hex bolt.



☆ When discharging water, it is necessary to unscrew the bottom cover with serial number 3;

☆ When cleaning the valve, it is necessary to unscrew the valve cover number 2 and clean the filter screen.

SKU	DN	PCD	D	L	n-d
PRVCRN080F	80	160	200	225	8-18
PRVCRN100F	99	180	220	250	8-18

