

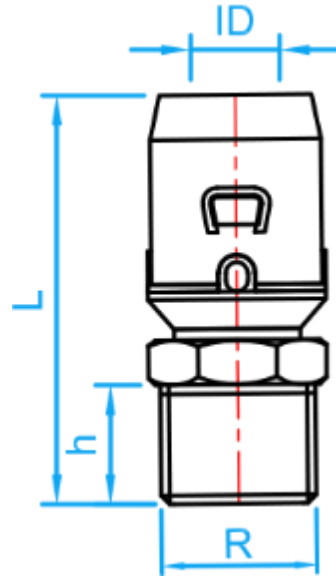
PEX MULTI LAYER PIPES AND FITTINGS



COMPLY WITH BS EN ISO 21003-1:2008
 BS EN ISO 21003-3:2008
 BS EN ISO 21003-5:2008
 BS EN 12165:2016
 AS/NZS 4020:2005
 SS 375:2015



F6 PUSH-FIT PEX MALE ADAPTOR



SIDE VIEW

DIMENSIONS

SKU	SIZE (mmxinch)	ID (mm)	R BSPT (inch)	h (mm)	L (mm)	WEIGHT (kg)	PCS/CTN
PEXF6MIA01616	16X1/2"	11.80	1/2"	14	55.0	0.069	144
PEXF6MIA01620	16X3/4"	11.80	3/4"	15	52.0	0.077	144
PEXF6MIA02016	20X1/2"	15.80	1/2"	14	57.0	0.086	144
PEXF6MIA02020	20X3/4"	15.80	3/4"	15	58.0	0.095	120
PEXF6MIA02516	25X1/2"	19.75	1/2"	14	66.0	0.130	80
PEXF6MIA02520	25X3/4"	19.75	3/4"	15	67.0	0.140	64
PEXF6MIA02525	25X1"	19.75	1"	16	60.0	0.141	64
PEXF6MIA03216	32X1/2"	25.75	1/2"	14	71.5	0.173	80
PEXF6MIA03220	32X3/4"	25.75	3/4"	15	72.5	0.180	80
PEXF6MIA03225	32X1"	25.75	1"	16	73.5	0.204	80
PEXF6MIA03232	32X1 1/4"	25.75	1 1/4"	19	70.0	0.240	72