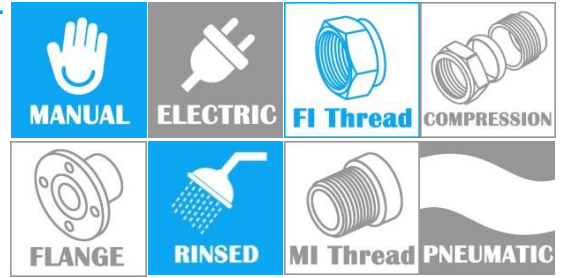


# MULTI JET/ DRY DIAL SMART WATER METER WITH MODBUS RTU OUTPUT (CLASS B)

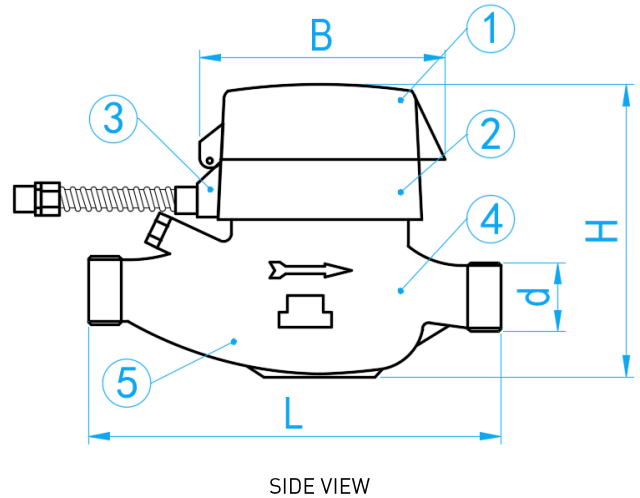
COMPLY WITH BS EN 12165:2016  
AS NZS 4020:2018  
SS 375:2015



WMSN015V~WMSN035V



WMSN042V



SIDE VIEW

Wire material used: RS485 bus RVV4x (0.2-1mm<sup>2</sup>) shielded wire.

STANDARD SPECIFICATIONS	
Water Temperature	0°C ≤ t ≤ 40°C
Operating Pressure	≤ 1.0Mpa
Operating Voltage	DC12V
Quiescent Current	<5mA
Communication transmission rate	9600 B/S

COMPONENT PARTS		
ITEM	PARTS	MATERIAL
1	Lid	ABS
2	Sealed Register	PC+ABS+POM
3	Communications	/
4	Body	DN15~35: Brass DN42: Ductile Iron
5	Single Jet Impeller	ABS

## FLOW RATE SPECIFICATIONS

SKU	QS Maximum flow rate [m <sup>3</sup> /h]	QP Nominal flow rate [m <sup>3</sup> /h]	Qt Transitional flow rate [l/h]	Qmin Minimum flow rate [l/h]
WMSN015V	3.0	2.5	120	30
WMSN020V	5.0	4.0	200	50
WMSN025V	5.0	4.0	200	50
WMSN035V	5.0	4.0	200	50
WMSN042V	20.0	16.0	800	200

## DIMENSIONS

SKU	SIZE(mm)	L(mm)	B(mm)	H(mm)	D(mm)	d(mm)	Cable(mm)	WEIGHT(kg)	PCS/CTN
WMSN015V	15	165	95	120	G ¾"	R ½"	800	1.5	10
WMSN020V	20	195	95	120	G 1"	R ¾"	800	1.7	10
WMSN025V	25	225	97	130	G 1-1/2"	R 1"	800	2.2	8
WMSN035V	32	230	104	137	G 1-1/4"	R 1-1/4"	800	2.6	5
WMSN042V	40	405	124	167	G 2"	R 1-1/2"	800	9.5	1

\*1) Ensure water meter is installed in the correct water flow direction.

2) Always ensure to select the correct size and spec for the meter.

3) All of the above water meters are only suitable to be installed in the horizontal position. Failing to comply will result in damaging the meter and warranty will be voided.

4) Exclusively use in indoors installation.