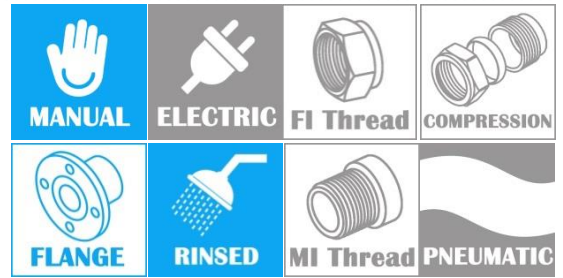
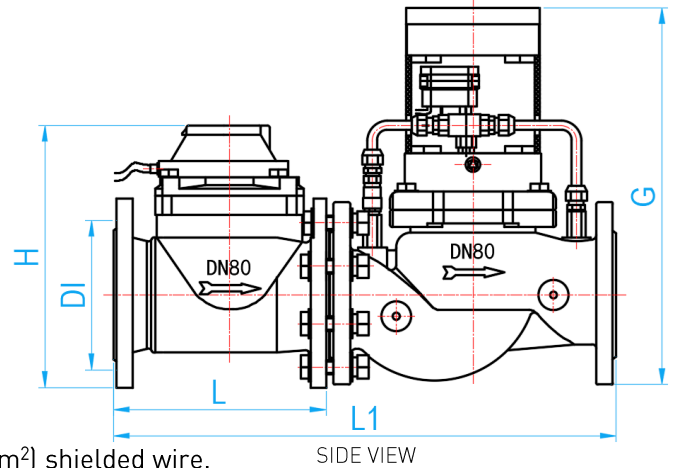


# MULTI JET/ WOLTMAN DRY DIAL SMART WATER METER WITH MODBUS RTU OUTPUT (CLASS B)



COMPLY WITH BS EN 12165:2016  
AS NZS 4020:2018  
SS 375:2015



Wire material used: RS485 bus RVV4x (0.2-1mm<sup>2</sup>) shielded wire.

### STANDARD SPECIFICATIONS

Water Temperature	0°C ≤ t ≤ 40°C
Operating Pressure	≤ 1.0Mpa
Operating Voltage	DC12V
Quiescent Current	<5mA
Communication transmission rate	9600 B/S

### COMPONENT PARTS

ITEM	PARTS	MATERIAL
1	Lid	ABS
2	Sealed Register	PC+ABS+POM
3	Communications	/
4	Body	Ductile Iron
5	Impeller	ABS
6	Flange	Ductile Iron

### FLOW RATE SPECIFICATIONS

SKU	Q max Maximum flow rate [m <sup>3</sup> /h]	Q n Nominal flow rate [m <sup>3</sup> /h]	Qt Transitional flow rate [m <sup>3</sup> /h]	Q min Minimum flow rate [m <sup>3</sup> /h]	Maximum count
WMSN050FV	50.0	40	0.80	0.50	99999
WMSN065FV	78.7	40	0.80	0.50	99999
WMSN080FV	125.0	63	1.28	0.80	99999
WMSN100FV	200.0	100	2.00	1.25	99999
WMSN125FV	200.0	160	3.20	2.00	99999
WMSN150FV	312.5	250	5.00	3.10	9999999
WMSN200FV	500.0	400	8.00	5.00	9999999

### DIMENSIONS

SKU	DN (mm)	L/L1 (mm)	H (mm)	G (mm)	CONNECTING FLANGE		Bolt Tightening Torque	WEIGHT (kg)	PCS/CTN
					D	D1			
WMSN050FV	50	200/445	256	400	165	125	70	24.00	1
WMSN065FV	65	200/535	266	400	185	145	70	32.20	1
WMSN080FV	80	225/525	276	400	200	160	70	44.40	1
WMSN100FV	100	250/582	250	430	220	180	80	41.24	1
WMSN125FV	125	250/563	301	400	250	210	120	-	1
WMSN150FV	150	300/700	345	500	285	240	120	103.10	1
WMSN200FV	200	350/750	373	500	340	295	115	-	1

\*1) Ensure water meter is installed in the correct water flow direction.

2) Always ensure to select the correct size and spec for the meter.

3) All of the above water meters are only suitable to be installed in the horizontal position. Failing to comply will result in damaging the meter and warranty will be voided..

4) The height "G" is necessary for removing the measuring element.

5) Exclusively use in indoors installation.