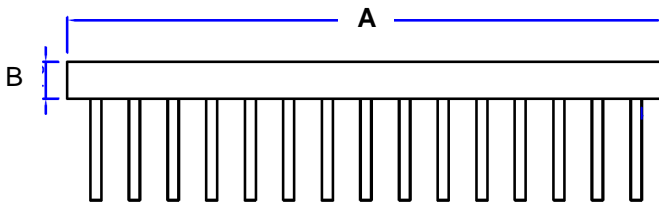
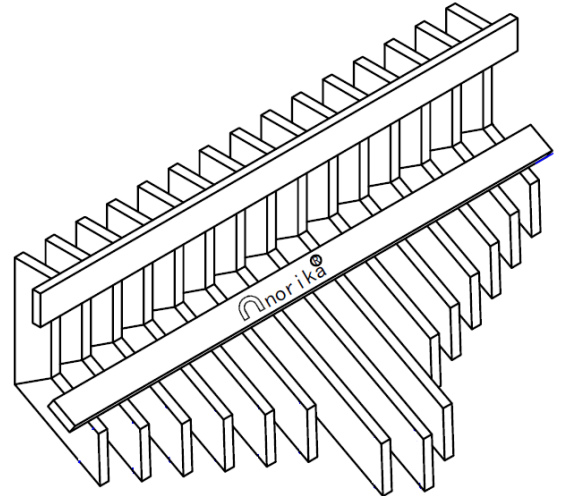
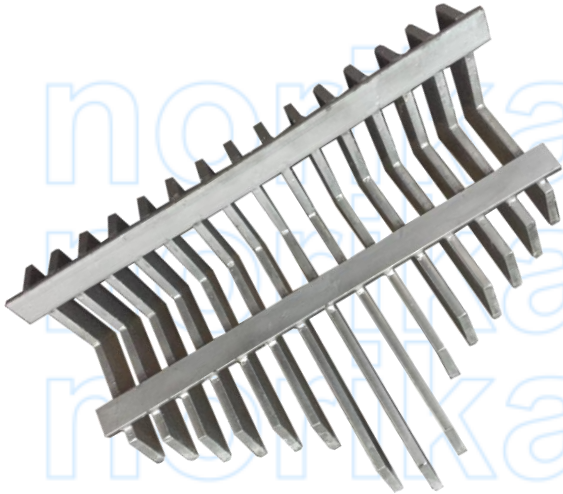
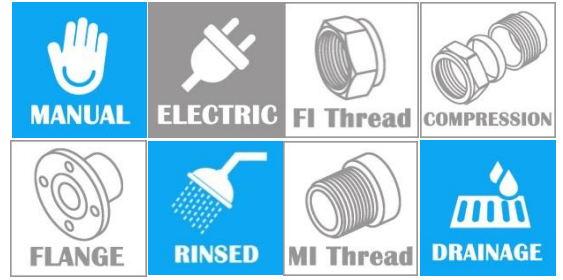
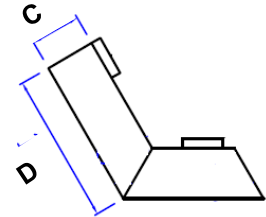


MILD STEEL LAST IC / MANHOLE GRATING



TOP VIEW



SIDE VIEW

COMPONENT PARTS

MATERIAL Hot Dipped Galvanized Iron

DIMENSIONS

SKU	A (mm)	B (mm)	C (mm)	D (mm)	WEIGHT (Kg)
GLICG650	650	40	50	150	31