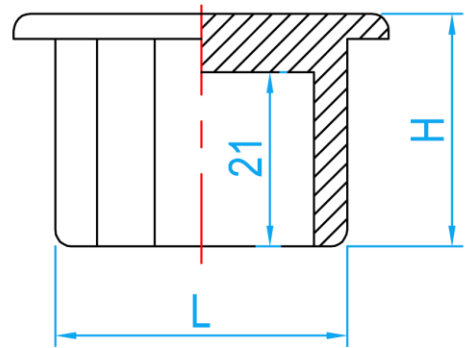
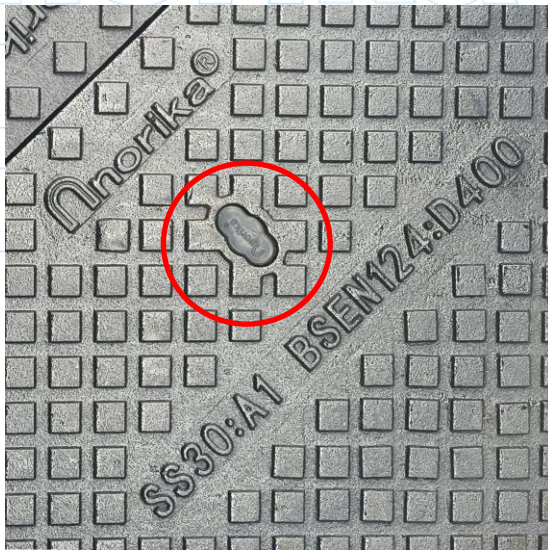
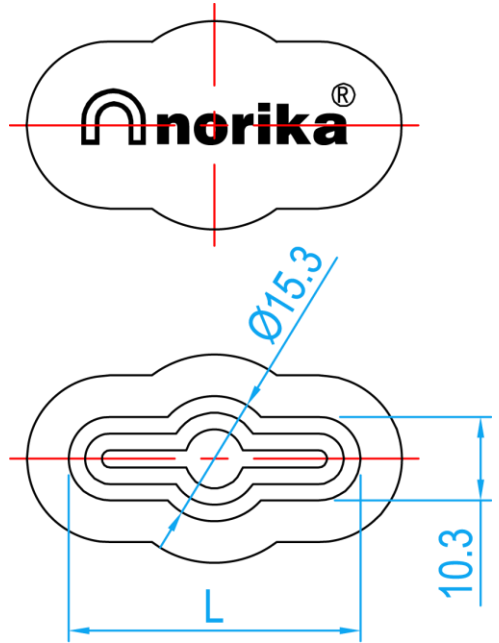


KEY HOLE'S COVER FOR MANHOLE



APPLICATION SCENARIOS (COVER KEY HOLE)

COMPONENT PARTS

Plug avoids insects and odors.

COMPONENT PARTS

ITEM	PARTS	MATERIAL
1	Body	NBR

DIMENSIONS

SKU	L (mm)	H (mm)	WEIGHT (Kg)	PCS/BAG
MHKS	35.5	28	0.015	200