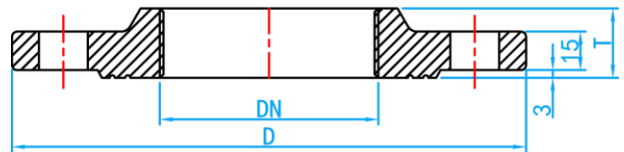
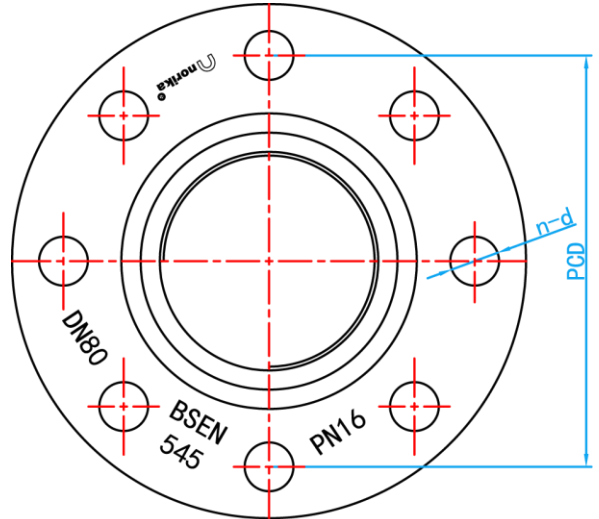
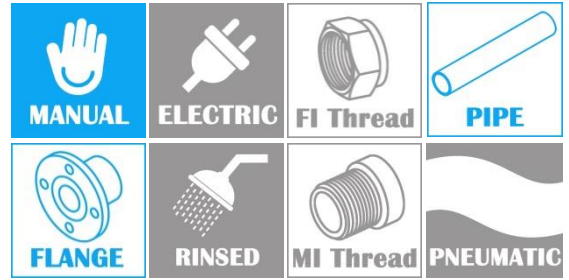


HEAVY DUTY DUCTILE IRON HV THREAD SCREW ON FLANGE

COMPLY WITH BSEN 545



CROSS SECTIONAL VIEW

COMPONENT PARTS

PARTS	MATERIAL
Flange	DUCTILE IRON

DIMENSIONS

SKU	SIZE (mm)	DN (mm)	PCD (mm)	n-d (mm)	D (mm)	T (mm)	WEIGHT (kg)
DIFHV080	80	3"	160	8-19	200	27.0	2.80
DIFHV100	100	4"	180	8-19	220	29.5	3.10
DIFHV150	150	6"	240	8-23	285	35.0	5.00
DIFHV200	200	8"	295	12-23	340	35.0	6.60