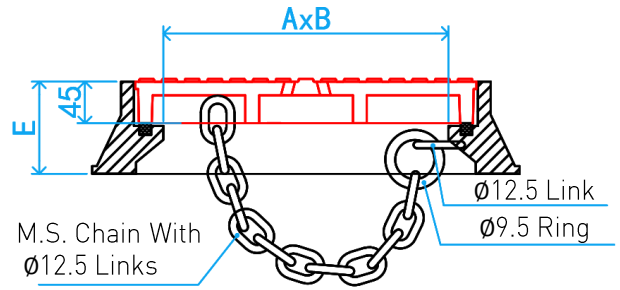


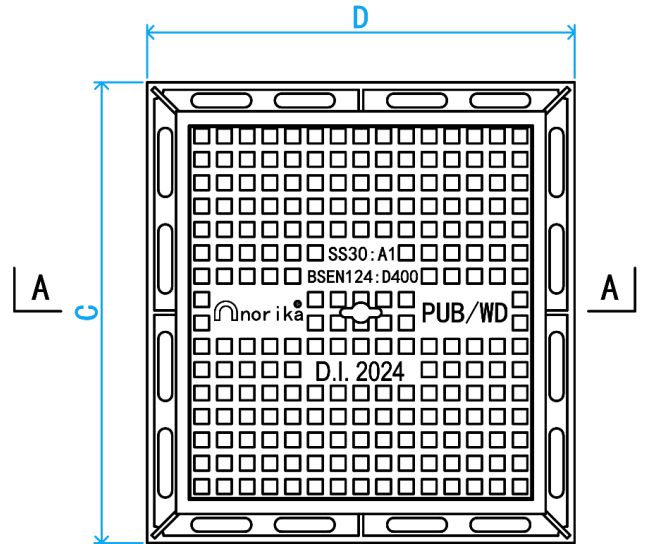
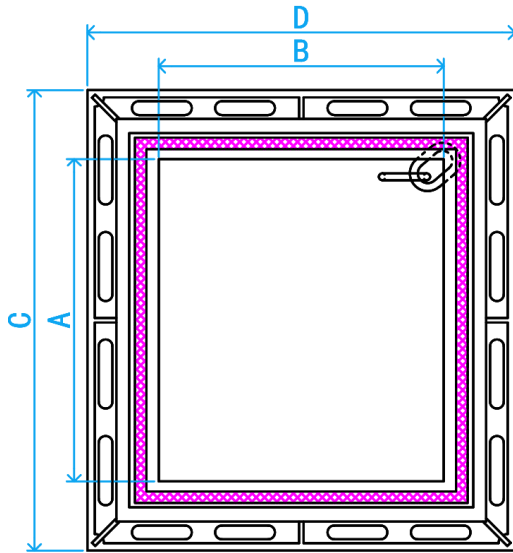
HEAVY DUTY DUCTILE IRON [DOUBLE] VALVE BOX

COMPLY WITH SS30 : 1999 A1 Grade
BSEN124: 1994 [400KN]

 MANUAL	AIRTIGHTNESS TESTED	WATERTIGHTNESS TESTED	 KN LOAD TESTED



CROSS SECTIONAL A-A



TOP VIEW

STANDARD SPECIFICATION

SKU	MATERIAL	INTERNAL OPENING Ax B (mm)	EXTERNAL CxD (mm)	HEIGHT E (mm)	WEIGHT (kg)
DIDVB PUB-D400	Ductile Iron	350x310	500x465	100	31