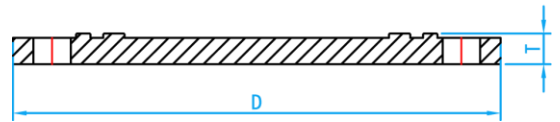
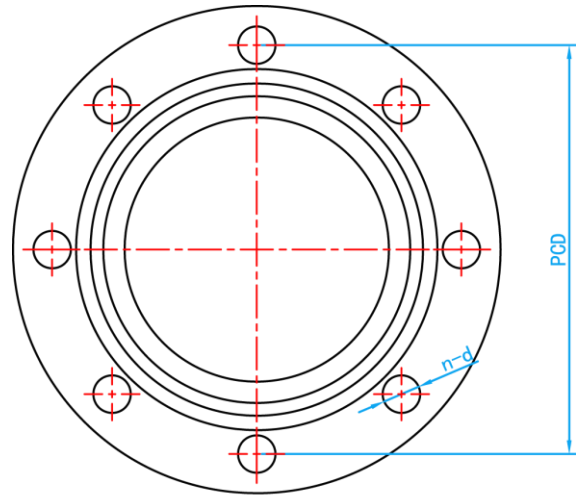
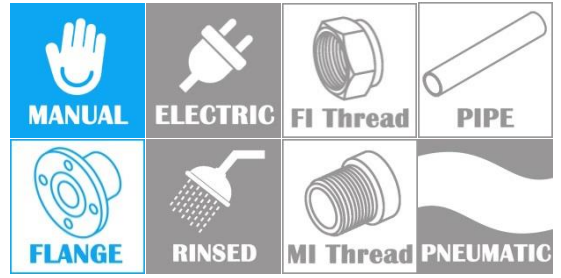


# HEAVY DUTY DUCTILE IRON BLIND FLANGE

COMPLY WITH BSEN545



CROSS SECTIONAL VIEW

## COMPONENT PARTS

PARTS	MATERIAL
Flange	DUCTILE IRON

## DIMENSIONS

SKU	SIZE (mm)	PCD (mm)	n-d (mm)	D (mm)	T (mm)	WEIGHT (kg)
DIFBF050	50	125	4-18	165	18	1.95
DIFBF080	80	160	8-18	200	18	2.70
DIFBF100	100	180	8-18	220	18	3.90
DIFBF150	150	240	8-22	285	18	6.50
DIFBF200	200	295	12-22	340	18	8.00
DIFBF250	250	355	12-26	405	18	14.40
DIFBF300	300	410	12-26	460	18	15.00