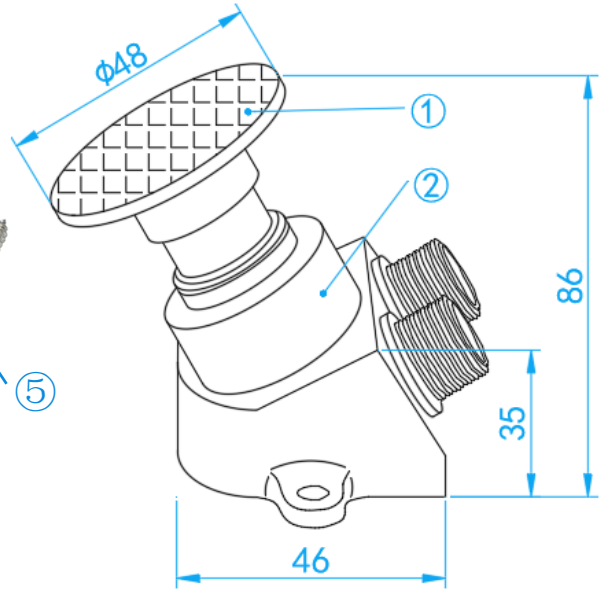
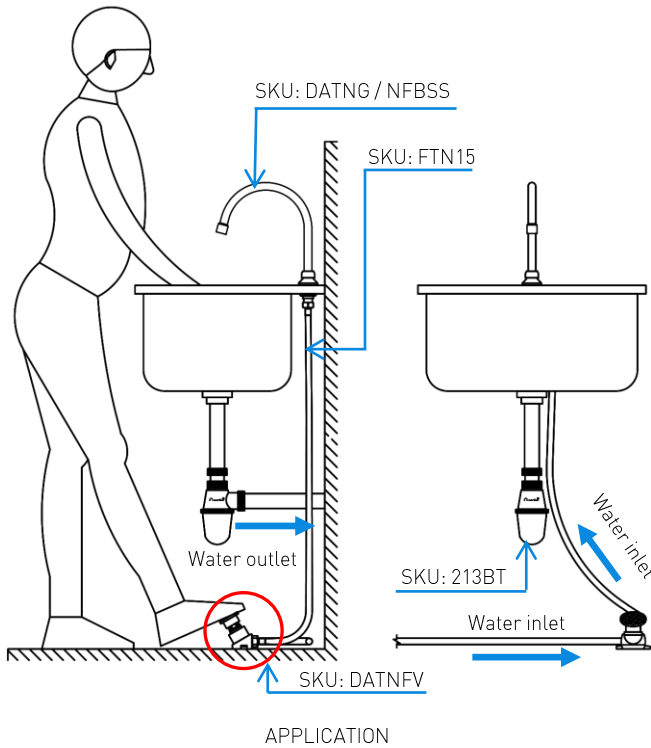


# FOOT OPERATED VALVE (Suitable for food processes & hospitals)



3D VIEW



APPLICATION

### COMPONENT PARTS

ITEM	PARTS	MATERIAL
1	Cap	Brass
2	Body	DZR Brass
3	O-ring	EPDM
4	Plastic Expansion	Nylon
5	Screw	AISI304

### SPECIFICATIONS

SKU	Inlet (inch)	Outlet (inch)	Screw (mm)	Delay Time (sec)	Working Pressure (Bar)	WEIGHT (Kg)	PCS/CTN
DATNFV	1/2" BSP	1/2" BSP	M5×50	3 - 7	10	0.535	40

\* Compatible with swing spout (DATNG or NFBSS) and flexible hose (FTN15-) at kitchen sink or hospital sink.