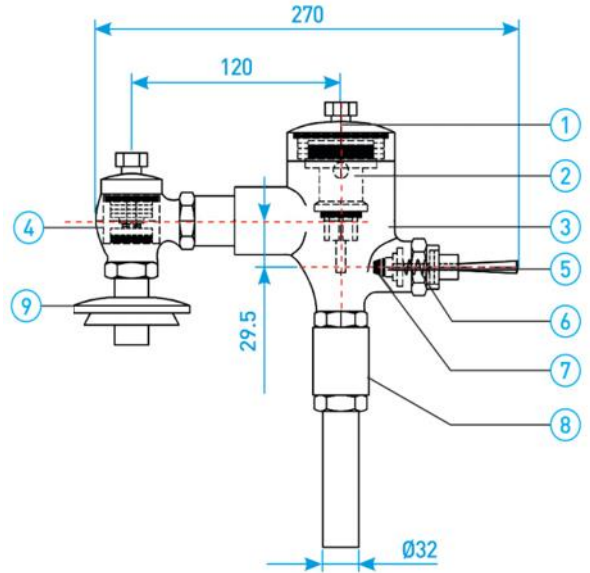


EXPOSED MANUAL OPERATED W.C FLUSH VALVE



CROSS SECTIONAL VIEW

CHARACTERISTIC

- Exposed type [Wall Mounted] flush valve with level press activation. Chrome plated brass construction with integral stop valve and vacuum breaker.
- Consistent flush volume irrespective of water pressure.
- Integral stop / check valve and adjustable flush volume.
- ECO water saving.

COMPONENT PARTS

ITEM	PARTS	MATERIAL
1.	Flush Delay Spring	Brass
2.	Piston	Brass
3.	Body	Brass
4.	Flow Regulator	NBR+Brass
5.	Handle	Brass
6.	Spring	AISI304
7.	Rubber Seal	NR
8.	Back Flow Preventer	Brass
9.	Chrome Washer	AISI304

STANDARD SPECIFICATIONS

SKU	WATER CONSUMPTION	DELAY TIME	PRESSURE RANGE	WEIGHT (kg)	PCS/CTN
MFVNBC4	3.5L ~ 4.5L/Min	3s ≤ t ≤ 7s	0.7 ~ 7.0 Bar	1.79	12