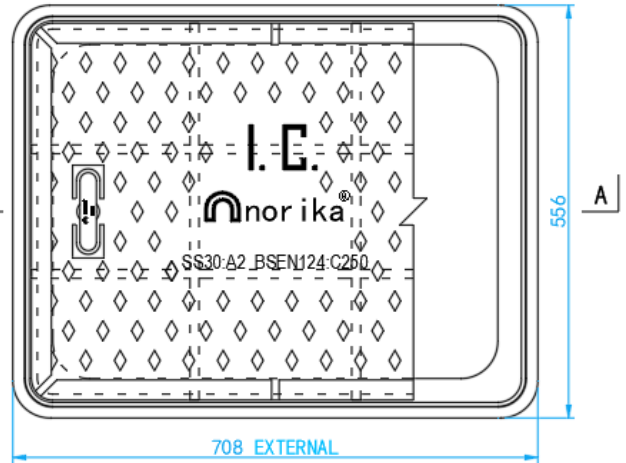
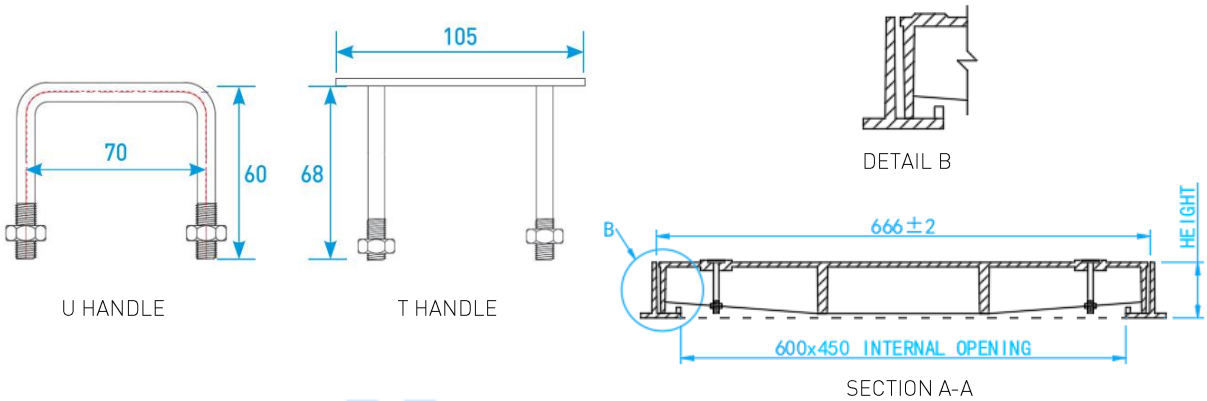


DUCTILE IRON HEAVY DUTY INSPECTION COVER & FRAME

COMPLY WITH BSEN 124:1994 [230KN]
SS30:1999



Type of Weight (Symbol)	SS30 Grade	Design Load	Place of Installation	BSEN124	Design Load
	A2	230KN	In carriageways not exceeding 0.5m away from kerb side channels of all roads and in carriageways of minor residential roads.	C250	230KN



TOP VIEW

DIMENSIONS

SKU	MATERIAL	INTERNAL OPENING (mm)	EXTERNAL (mm)	HEIGHT (mm)	WEIGHT (kg)	Remarks / Optional
DIICCS-A2	Ductile Iron	600 X 450	708 X 556	75	58±1	"T" Or "U" Handle

* Please specify 'T' handle or 'U' handle, upon placing order.