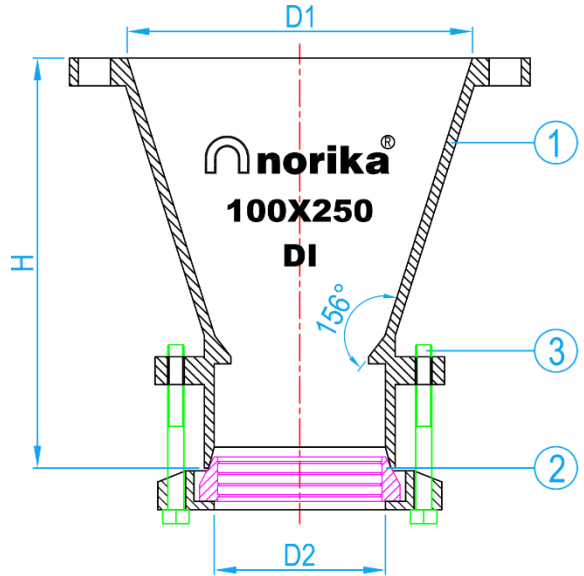


# DUCTILE IRON EPOXY COATED OVERFLOW FUNNEL



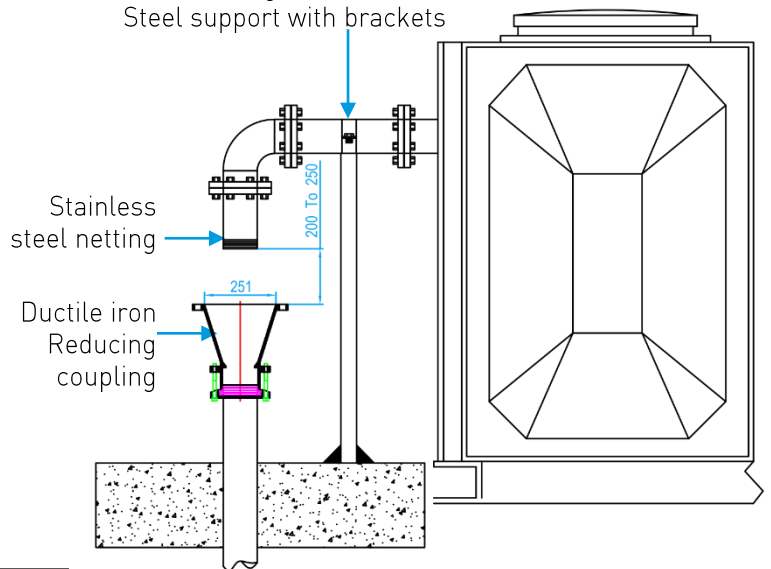
CROSS SECTIONAL VIEW

OPERATING PRESSURE	
Nominal Pressure	PN16

COMPONENT PARTS		
ITEM	PARTS	MATERIAL
1.	Body	Ductile Iron
2.	Seal Ring	EPDM
3.	Bolt	Galvanized Iron

STANDARD SPECIFICATIONS				
SKU	D1 (mm)	D2 (mm)	H (mm)	WEIGHT (kg)
DIFEJ100250	251	118	295	14.5

Additional 50mm galvanized mild  
Steel support with brackets



OVERFLOW PIPE LAYOUT AFTER MODIFICATION