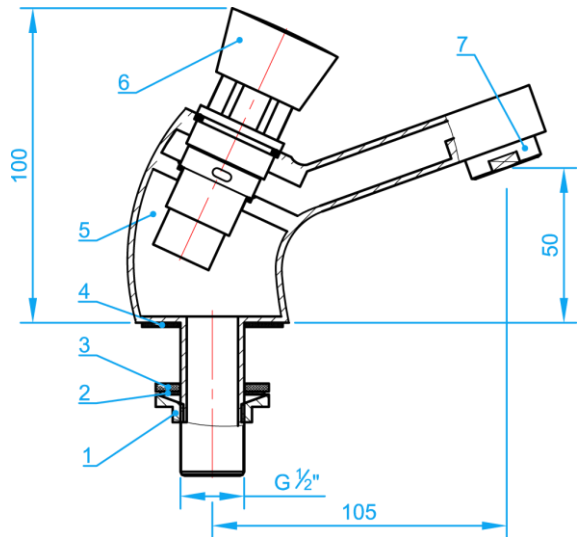
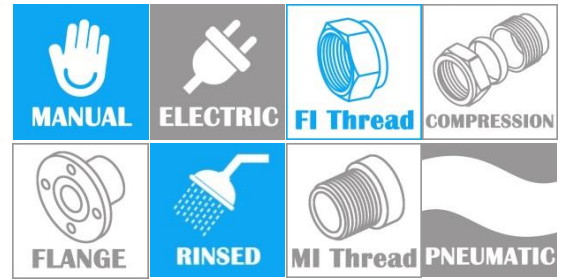
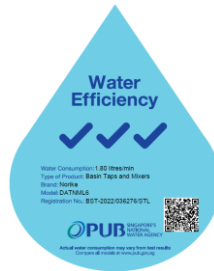


DELAY ACTION BASIN FAUCET

COMPLY WITH BSEN200:2008
BSEN248:2002
AS/NZS 4020:2005
SS375:2015



CROSS SECTION VIEW

COMPONENT PARTS

ITEM	PARTS	MATERIAL
1	Nut	Brass
2	Gasket	PVC
3	Gasket	NBR
4	Gasket	NBR
5	Body	DZR Brass
6	Piston	PPS/ Brass/ EPDM/ NBR
7	Bubbler Assembly	Brass/ EPDM/ POM

CHARACTERISTIC

Push-button tap with delayed shut-off action.
Anti-liming, self-cleaning mechanism.
Vandal-proof flow-control.

STANDARD SPECIFICATIONS

Nominal pressure	1.0 MPa
Working Medium	Water
Working Temperature	0 °C~90 °C

STANDARD SPECIFICATIONS

SKU	WATER CONSUMPTION	DELAY TIME	APPLICABLE WATER PRESSURE	WEIGHT [kg]	PCS/CTN
DATNML6	1.80 L/min	5s ≤ t ≤ 7s	0.05 ~ 0.8MPa	0.54	30