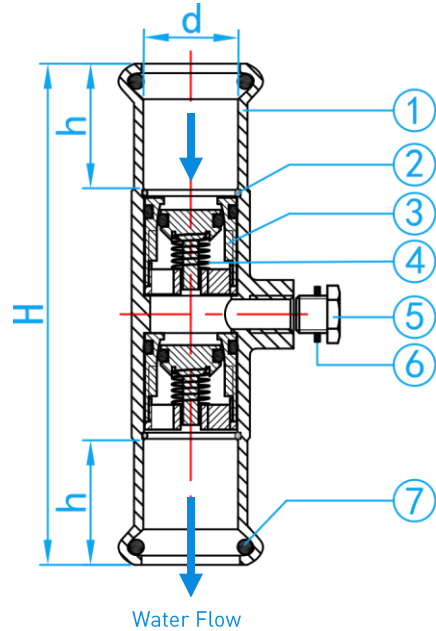


# DZR BRASS PRESS-FIT SPRING DOUBLE CHECK VALVE

COMPLY WITH BS EN 5154:1991



COMPONEN PARTS

ITEM	PARTS	MATERIAL
1	Body	DZR Brass
2	Snap Ring	AISI304
3	Spool	ABS
4	Spring	AISI304
5	Nut	Brass
6	Sealing	PTFE
7	O-ring	EPDM

CROSS SECTIONAL VIEW

STANDARD SPECIFICATION

Working Pressure	200Psi
Working Temperature	0 ~ 80°C
Applicable Medium	Water

DIMENSIONS

SKU	SIZE d (mm)	h (mm)	H (mm)	WEIGHT (Kg)	PCS/CTN
DCVCRPFN015	15	20	80.5	0.080	200