

QUICK TURN-ACTION CROSS HANDLE WALL 2 WAY TAP

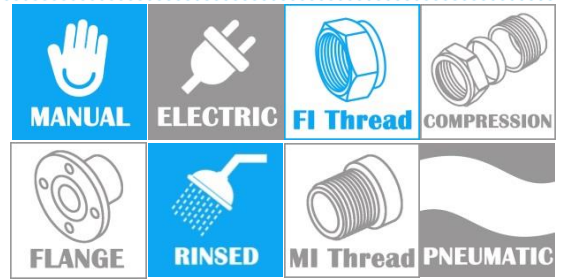
COMPLY WITH BS EN 200:2008


Water Efficiency


Water Consumption: 3.90 litres/min
Type of Product: Sink/Bath Taps and Mixers
Brand: Norika
Model: NXG0651
Registration No.: SKT/ST-2011007194

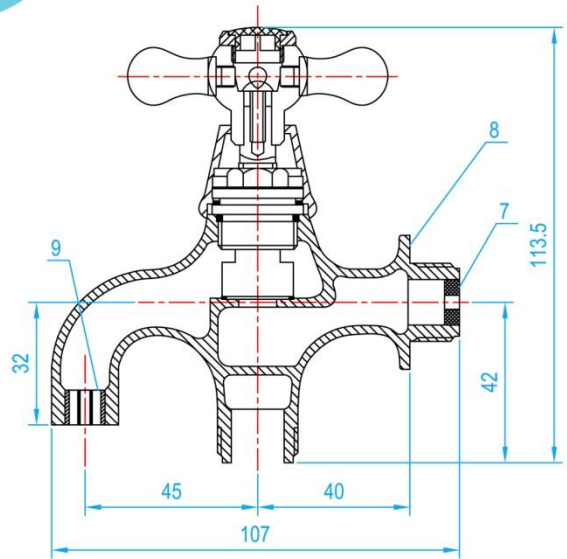


Actual water consumption may vary from test results.
Compare at models of same design only.



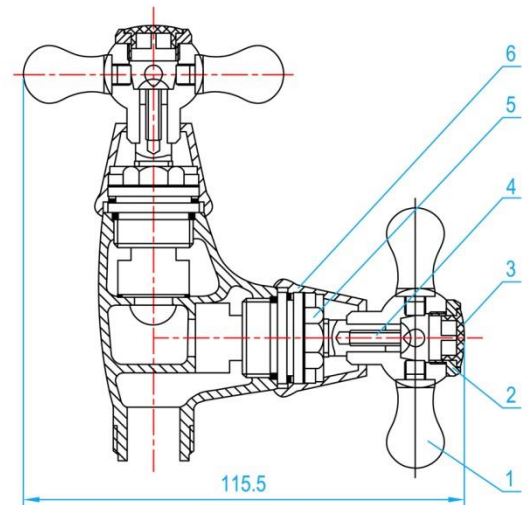
CHARACTERISTIC

- Suitable for public, commercial and institutional washrooms.
- Saves water through built-in volume control.
- Corrosion-resistant material.
- Easy installation and maintenance.



COMPONENT PARTS

ITEM	PARTS	MATERIAL
1.	Cross Handle	Zinc Alloy
2.	Tap Handle Sleeve	Brass
3.	Tap Handle Cap	ABS
4.	Locking Screw	Brass
5.	Ceramic Cartridge	Ceramic/Rubber/Brass
6.	Decorative Cover	Zinc Alloy
7.	Flow Regulator	ABS
8.	Body	Copper Alloy
9.	Water Economizer	ABS



SECTION VIEW

STANDARD SPECIFICATIONS

SKU	APPLICABLE WATER PRESSURE	WATER TEMPERATURE	ENVIRONMENTAL TEMPERATURE	WATER SUPPLYING CALIBER	WEIGHT (kg)	PCS/CTN
NXG0651	0.1-0.7Mpa	5°C ≤ t ≤ 45°C	Room Temperature	1/2" BSP	0.64	30