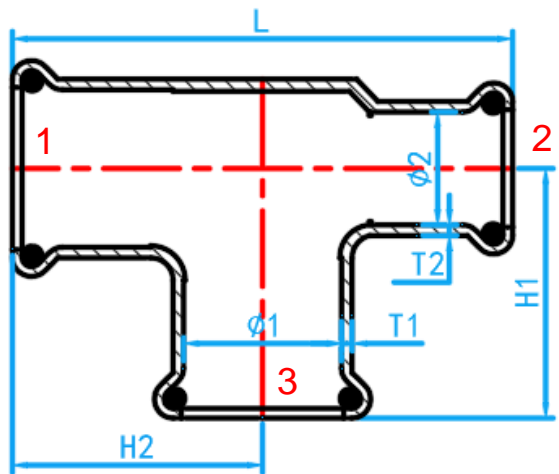
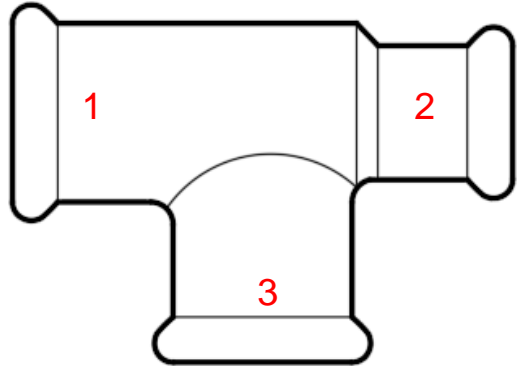


COPPER PRESS FIT FITTINGS (M PROFILE)

COMPLY WITH BSEN1254-2: 1998



REDUCING TEE



CROSS SECTIONAL VIEW

DIMENSIONS

SKU	Ø1 (mm)	Ø2 (mm)	H1 (mm)	H2 (mm)	L (mm)	T1 (mm)	T2 (mm)	WEIGHT (Kg)	PCS/CTN
PFNRT0201520	22	15	38.4	37.0	83.9	1.5	1.5	0.121	100