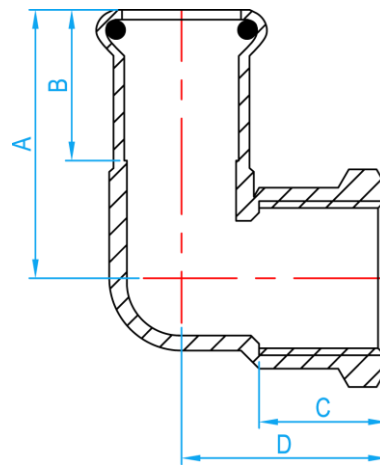


COPPER PRESS FIT FITTINGS

COMPLY WITH BSEN1254-2:1998



FI ELBOW LONG



CROSS SECTIONAL VIEW

DIMENSIONS

SKU	Ø1 (mm)	Ø2 (mm)	A (mm)	B (mm)	C (mm)	D (mm)	WEIGHT (Kg)	PCS/CTN
PFNFIE015L	15.4	18.6	35.6	20.0	35.9	46.2	0.101	200