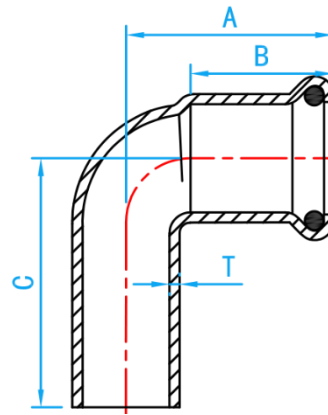


# COPPER PRESS FIT FITTINGS (M PROFILE)

COMPLY WITH BSEN1254-2: 1998



## 90° ELBOW MXF



CROSS SECTIONAL VIEW

### DIMENSIONS

SKU	SIZE (mm)	A (mm)	B (mm)	C [mm]	T (mm)	WEIGHT (Kg)	PCS/CTN
PFNE90015MF	15	29.0	20.0	35.0	1.5	0.044	360
PFNE90020MF	22	34.0	21.0	43.0	1.5	0.082	140
PFNE90025MF	28	40.0	23.0	47.0	1.5	0.117	80
PFNE90035MF	35	68.0	26.0	82.0	1.5	0.187	40
PFNE90042MF	42	80.0	30.0	103.0	1.5	0.283	24
PFNE90050MF	54	100.0	35.0	123.0	1.5	0.437	12
PFNE90065MF	67	132.0	50.0	140.0	2.0	0.745	5
PFNE90080MF	76	142.0	50.0	150.0	2.0	1.140	4