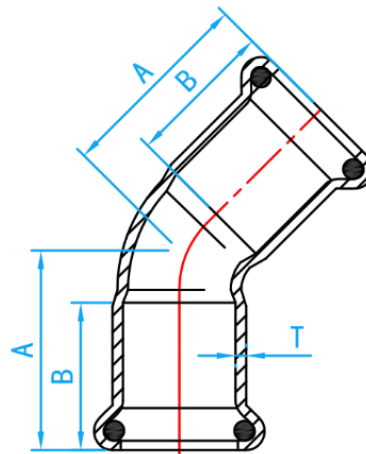


COPPER PRESS FIT FITTINGS (M PROFILE)

COMPLY WITH BSEN1254-2: 1998



45° ELBOW



CROSS SECTIONAL VIEW

DIMENSIONS

SKU	SIZE (mm)	A (mm)	B (mm)	T (mm)	WEIGHT (Kg)	PCS/CTN
PFNE45015	15	27.5	20	1.5	0.040	360
PFNE45020	22	32.0	21	1.5	0.062	120
PFNE45025	28	37.0	23	1.5	0.089	80
PFNE45035	35	43.5	26	1.5	0.196	52
PFNE45042	42	51.0	30	1.5	0.194	28
PFNE45050	54	62.0	35	1.5	0.300	18
PFNE45065	67	85.0	50.0	2.0	0.630	7
PFNE45080	76	91.0	50.0	2.0	0.884	6