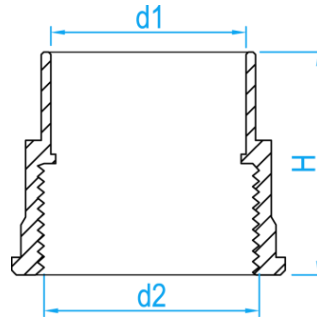


# COPPER CAPILLARY FITTING

COMPLY WITH BSEN1254-1:1998  
AS/NZS4020:2005  
BSEN1982:2008

## MBL FI ADAPTOR



CROSS SECTIONAL VIEW

### COMPONENT PARTS

PARTS	MATERIAL
FI/MI Adaptor	Bronze

### DIMENSIONS

SKU	d2 (inch)	d1 (mm)	H (mm)	WEIGHT (kg)	PCS/CTN
MBLFIA015	1/2" BSP	15	27	0.042	400
MBLFIA020	3/4" BSP	22	32.9	0.074	300
MBLFIA025	1" BSP	28	40.0	0.104	150
MBLFIA035	1 1/4" BSP	35	44.0	0.156	100
MBLFIA042	1 1/2" BSP	42	50.0	0.200	90
MBLFIA050	2" BSP	54	58.5	0.405	40
MBLFIA065	2 1/2" BSP	67	64.0	0.605	24