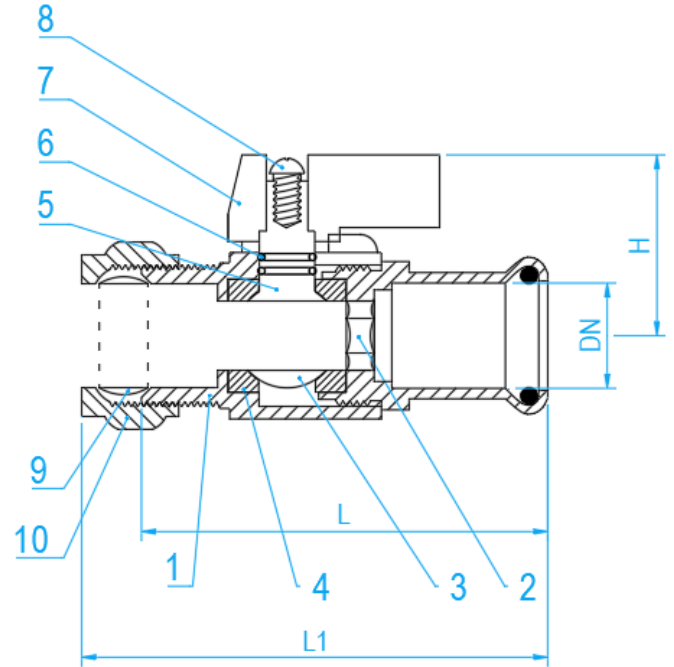
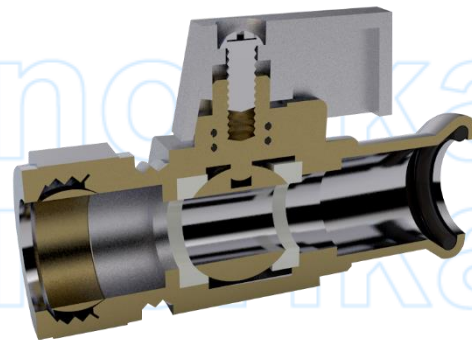
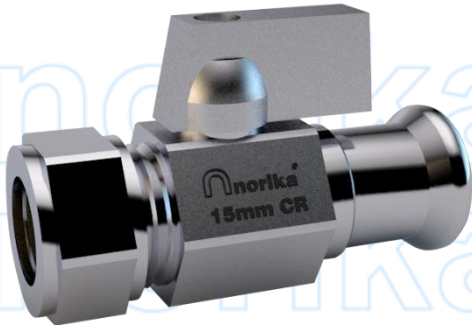
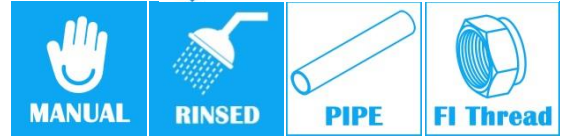


BRASS PRESS-FIT MINI BALL VALVE



COMPLY WITH BSEN13828:2003
AS/NZS 4020:2005
SS 375:2015



CROSS SECTIONAL VIEW

COMPONENT PARTS

| ITEM | PARTS | MATERIAL |
|------|--------|-------------------------|
| 1 | Body | Chrome-plated DZR Brass |
| 2 | Body | Chrome-plated DZR Brass |
| 3 | Ball | Chrome-plated DZR Brass |
| 4 | Seat | PTFE |
| 5 | Stem | DZR Brass |
| 6 | O-ring | EPDM |
| 7 | Handle | Zinc Alloy |
| 8 | Screw | AISI304 |
| 9 | Ring | Brass |
| 10 | Nut | Brass |

STANDARD SPECIFICATION

| | |
|-------------------|--------|
| Working Pressure | 200Psi |
| Applicable Medium | Water |

DIMENSIONS

| SKU | DN (mm) | SIZE (inch) | H (mm) | L (mm) | L1 (mm) | WEIGHT (kg) | PCS/CTN |
|-------------|---------|-------------|--------|--------|---------|-------------|---------|
| MBVCRPFN015 | 15 | 1/2" | 29 | 58.6 | 67 | 0.137 | 140 |