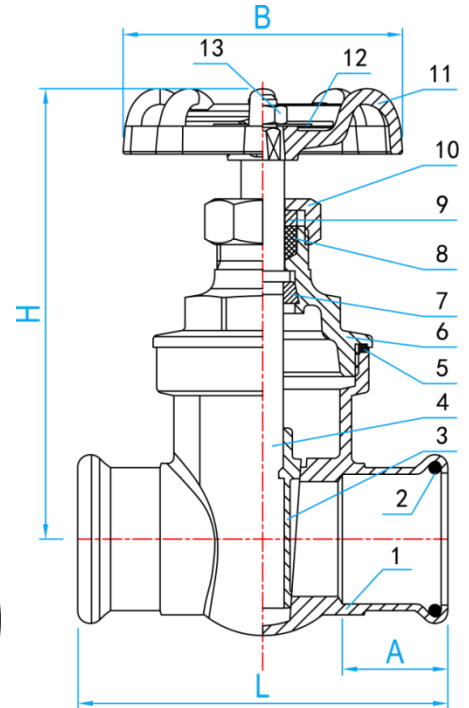
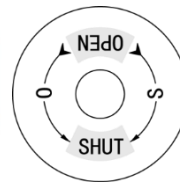


# BRASS PRESS FIT GATE VALVE



COMPLY WITH BS5154:1991  
 BS EN 12288:2010  
 SS375:2015  
 SS270:2015  
 AS/NZS4020:2018  
 BSEN12165:2016



12. Directional Plate

CROSS SECTIONAL VIEW

COMPONENT PARTS

ITEMS	PARTS	MATERIAL
1	Body	DZR Brass
2	O-Ring	EPDM
3	Disk	DZR Brass
4	Stem	DZR Brass
5	Gasket	PTFE
6	Bonnet	DZR Brass
7	Lock Cap	Brass
8	Gland Packing	PTFE
9	Gland	Brass
10	Nut	Brass
11	Hand Wheel	Cast Iron
12	Directional Plate	Aluminum Plate
13	Wheel Nut	Brass

STANDARD SPECIFICATIONS

Working Pressure	PN16
------------------	------

DIMENSIONS

SKU	SIZE (mm)	L (mm)	H (mm)	A (mm)	B (mm)	WEIGHT (kg)	PCS/CTN
GVC RPFN015	15	61.2	70	20	55	0.241	80
GVC RPFN020	20	70.2	82	21	60	0.359	60
GVC RPFN025	25	80.6	95	23	63	0.492	40
GVC RPFN035	35	91.6	112	26	70	0.728	30
GVC RPFN042	42	101	127	30	70	0.982	24
GVC RPFN050	50	117	157	35	85	1.639	12
GVC RPFN065	65	156.2	194	50	110	2.794	6
GVC RPFN080	80	180	230	55	140	4.750	4