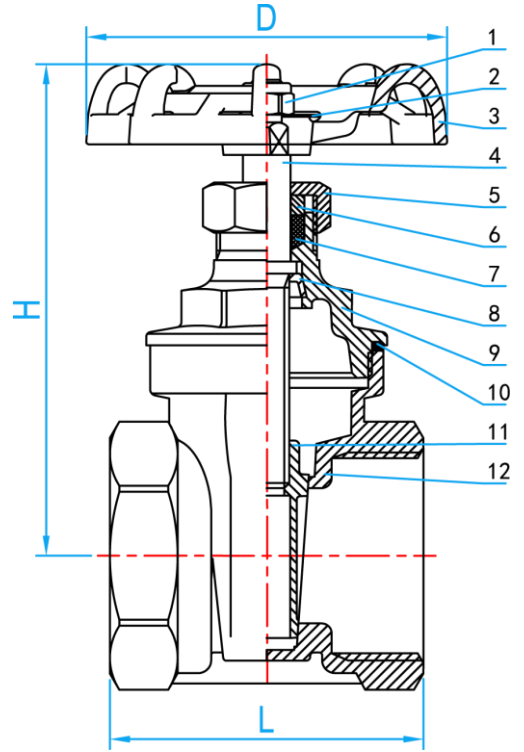
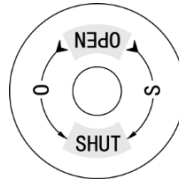


# BRASS GATE VALVE BSP THREADED END

COMPLY WITH BS5154:1991  
 BS EN 12288:2010  
 AS/NZS4020:2018  
 BS EN ISO 6509-1:2014  
 BS12165:2016


**STANDARD SPECIFICATIONS**

|                   |         |
|-------------------|---------|
| Working Pressure  | 200 Psi |
| Applicable Medium | Water   |



11. Name Plate

CROSS SECTIONAL VIEW

**DIMENSIONS**

| SKU      | SIZE (mm) | L (mm) | H (mm) | D (mm) | WEIGHT (kg) | PCS/CTN |
|----------|-----------|--------|--------|--------|-------------|---------|
| GVCRN015 | 15        | 42     | 72     | 55     | 0.239       | 72      |
| GVCRN020 | 20        | 46     | 78     | 55     | 0.299       | 48      |
| GVCRN025 | 25        | 52     | 85     | 60     | 0.443       | 36      |
| GVCRN035 | 35        | 51.5   | 100    | 70     | 0.598       | 18      |
| GVCRN042 | 42        | 56.5   | 115    | 70     | 0.928       | 18      |
| GVCRN050 | 50        | 64     | 140    | 85     | 1.252       | 12      |
| GVCRN065 | 65        | 87     | 163    | 100    | 2.232       | 6       |
| GVCRN080 | 80        | 92     | 188    | 110    | 3.212       | 6       |
| GVCRN100 | 100       | 109    | 232    | 140    | 5.100       | 4       |

**COMPONENT PARTS**

| ITEMS | PARTS          | MATERIAL       |
|-------|----------------|----------------|
| 1     | Wheel Nut      | AISI304        |
| 2     | Name Plate     | Aluminum Plate |
| 3     | Hand Wheel     | HT150          |
| 4     | Stem           | DZR Brass      |
| 5     | Lock Nut       | Brass Rod      |
| 6     | Gland          | Brass          |
| 7     | Gland Packing  | Teflon         |
| 8     | Straining Ring | Brass          |
| 9     | Bonnet         | DZR Brass      |
| 10    | Washer         | Teflon         |
| 11    | Disc           | DZR Brass      |
| 12    | Body           | DZR Brass      |