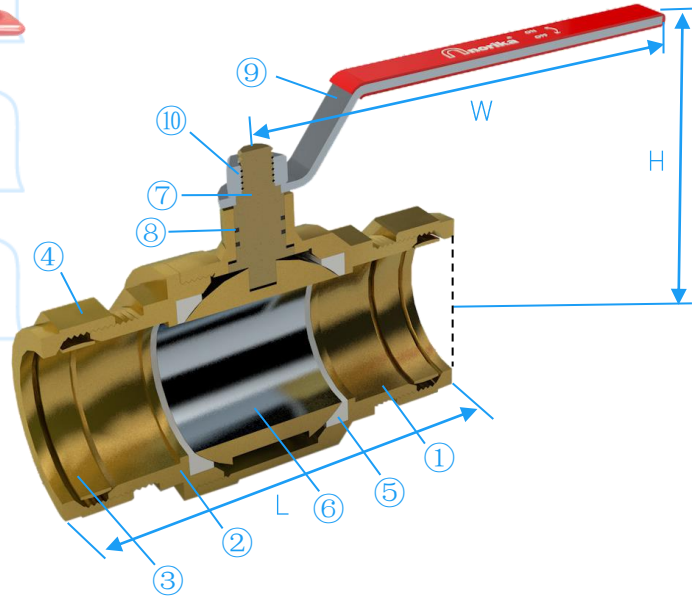
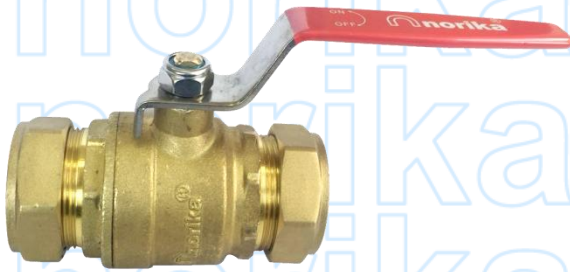
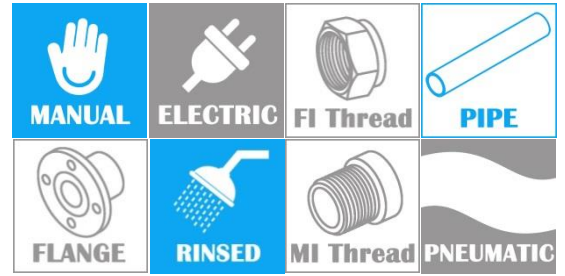


BRASS FULL BORE HANDLE BALL VALVE WITH COMPRESSION END

COMPLY WITH BSEN13828:2003



CROSS SECTIONAL VIEW

COMPONENT PARTS

ITEM	PARTS	MATERIAL
1	Body	DZR Brass
2	Bonnet	DZR Brass
3	Ring	Brass
4	Nut	Brass
5	Valve Seat	PTFE
6	Ball	DZR Brass
7	Stem	Brass
8	O-ring	NBR
9	Handle	AISI304 + PVC
10	Lock Nut	AISI304

STANDARD SPECIFICATIONS

Nominal pressure	1.6MPa
Working Medium	Water, non-corrosive liquid,
Working Temperature	-20°C ≤ t ≤ 110 °C

DIMENSIONS

SKU	DN (mm)	L (mm)	H (mm)	W (mm)	WEIGHT (kg)	PCS/CTN
BVCRCCN035F	32	109.9	73	130	0.960	20
BVCRCCN042F	40	121.7	79	130	1.300	16
BVCRCCN050F	50	149.7	93	167	2.230	8
BVCRCCN065F	65	182	117	235	4.400	6