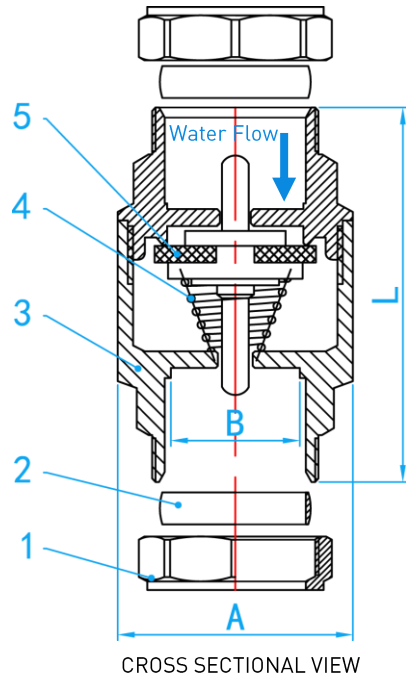
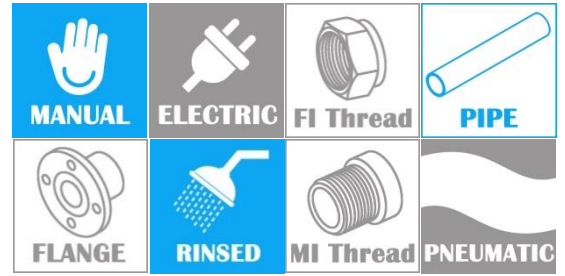


BRASS COMPRESSION SPRING CHECK VALVE

COMPLY WITH BS EN 5154:1991
 BS EN1254-2:1998
 BS EN 12165:2016
 AS/NZS 4020:2005
 SS 375:2015 & SS 270:2015



COMPONEN PARTS

ITEM	PARTS	MATERIAL
1	Compression Nut	Brass
2	Compression Ring	Brass
3	Body	DZR Brass
4	Spring	AISI304
5	Seat	EPDM

STANDARD SPECIFICATION

Working Pressure	200Psi
Applicable Medium	Water

DIMENSIONS

SKU	SIZE (mm)	A (mm)	B (mm)	L (mm)	WEIGHT (Kg)	PCS/CTN
CVCRCCN015	15	33.0	14.0	58	0.145	180
CVCRCCN020	22	37.2	20.5	66	0.245	100
CVCRCCN025	28	42.5	26.0	73	0.330	80
CVCRCCN035	35	55.0	33.0	83	0.530	48
CVCRCCN042	42	68.0	40.0	93	0.770	32
CVCRCCN050	54	78.5	52.0	103	1.250	20
CVCRCCN065	67	96.0	65.0	110	1.980	12