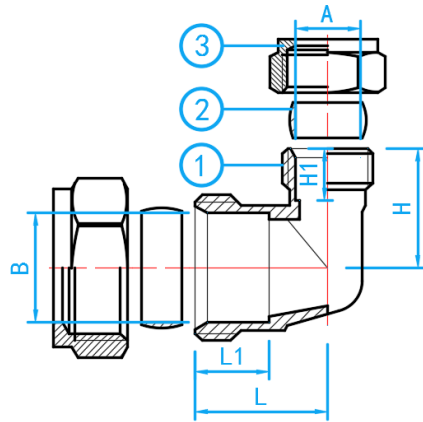
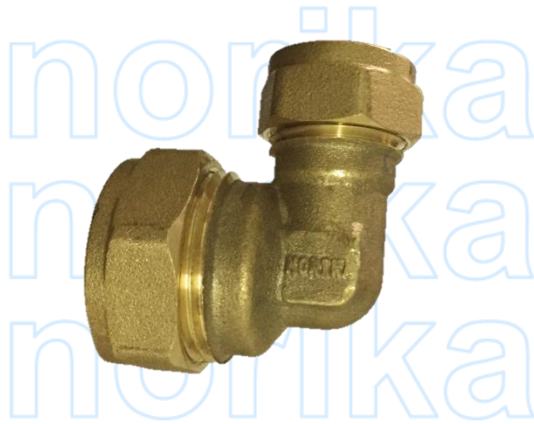


COMPRESSION [CXC] REDUCING ELBOW

COMPLY WITH BSEN1254-2:1998



SECTION VIEW

COMPONENT PARTS

ITEM	PARTS	MATERIAL
1	Body	DZR Brass
2	Ring	Brass
3	Nut	Brass

DIMENSIONS

SKU	A (mm)	B (mm)	H (mm)	H1 (mm)	L (mm)	L1 (mm)	WEIGHT (kg)	PCS/CTN
CRCCE01510	10	15	20	10	21	11	0.055	300
CRCCE02015	15	22	21	11	21	12.5	0.095	250
CRCCE02515	15	28	34.5	11	28.25	14	0.145	160
CRCCE03515	15	35	38	12	40	17	0.225	100
CRCCE03525	28	35	40	14	40	17	0.281	60